



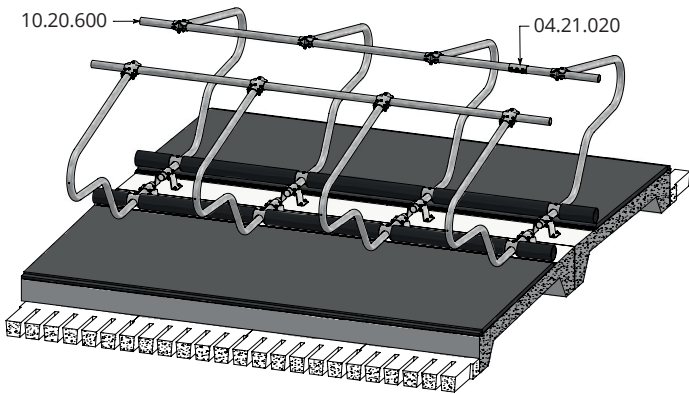
The Spinder 'Cosmos' free stall divider is a prime example of an 'open' cubicle. Large and spacious: therefore very animal friendly. This open system provides room enough for the cow to move naturally, when getting up and laying down. Consequentially the cows will lay down sooner which will improve production and hoof health.

For matting we advise a cow mattress: the Spinder Meadow mattress or the waterbeds. The combination Cosmos and loose bedding is also a possibility.

The PE retaining knee rail ensures for a perfect position of the animal, resulting in clean cows and cubicles.

Major characteristics:

- Exceptionally 'open' cubicle which allows the cow to move naturally, when getting up and laying down;
- Plenty head space;
- Simple and solid design;
- Neck rail: 120 cm;
- Widely applicable;
- Easy to install and adjust;
- Flexible and adjustable knee rail;



01.15.500 Freestall divider model 'Cosmos' (mounting support piece and T-clamp included)

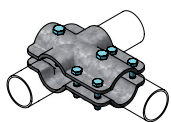
Fittings

- 11.11.240** Floor anchor M12 x 106 (4 per divider)
- 10.20.600** Tube 60 mm, length 6 m
- 04.21.020** Tube clamp coupling 60mm
- 04.24.020** End coupling 60 mm
- 11.06.200** Stopper 60 mm
- 01.15.550** Knee rail attachment PE125 for 'Cosmos', adjustable (1 per divider)
- 01.15.560** PE125 knee rail, length 1.00 Mtr. (stall width 110-115 cm)
- 01.15.561** PE125 knee rail, length 1.07 Mtr. (stall width from 115 cm)
- 01.15.565** PE125 knee rail, length 1.25 Mtr. (last knee rail, from divider to end wall)
- 01.90.370** End coupling for knee rail PE125 (attachment knee rail at end wall)
- 11.11.210** Floor anchor M10 x 71 mm (2 per end coupling)
- 01.15.590** Quick release for Cosmos

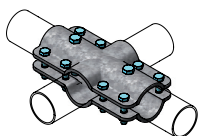
Model 'Cosmos' with head rail and neck rail

01.15.525 Connection for head rail four-way clamp incl. (1 per divider)

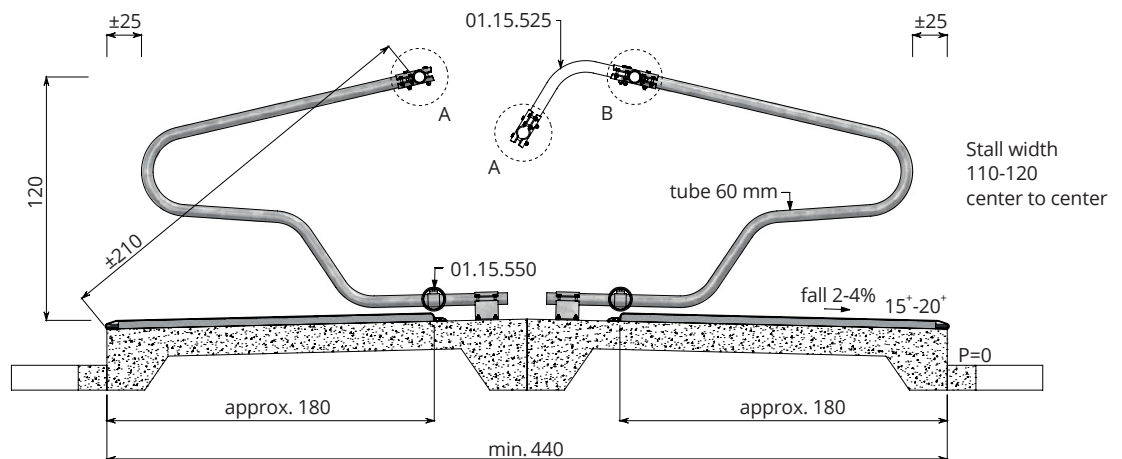
01.15.500 Model 'Cosmos' for cows



Detail A

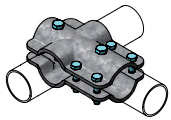


Detail B

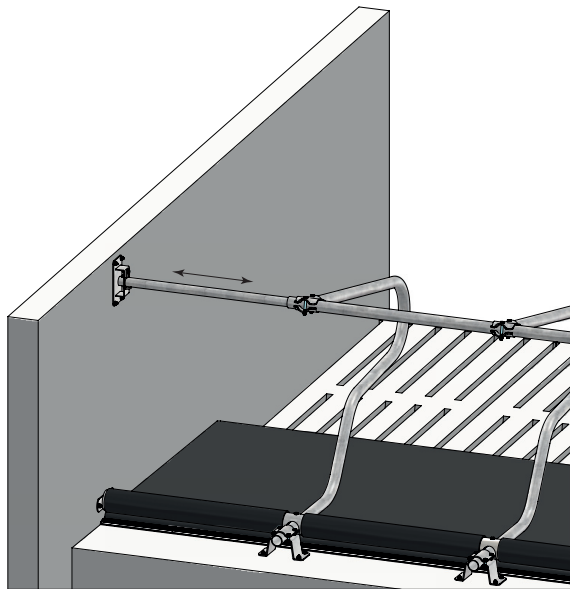
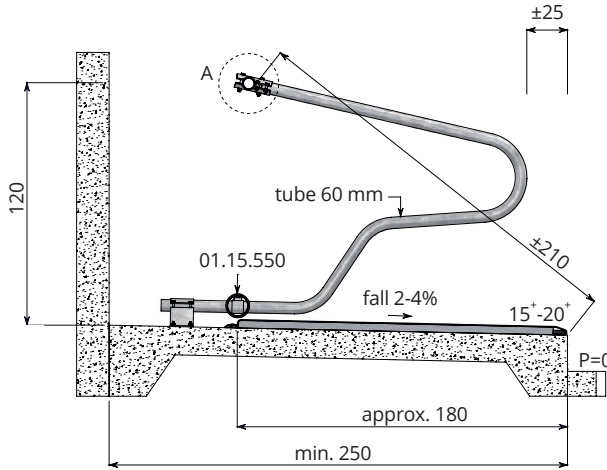


01.15.500
Model 'Cosmos'
for cows,
single row at
outer wall

Stall width
110-120
center to center



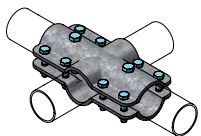
Detail A



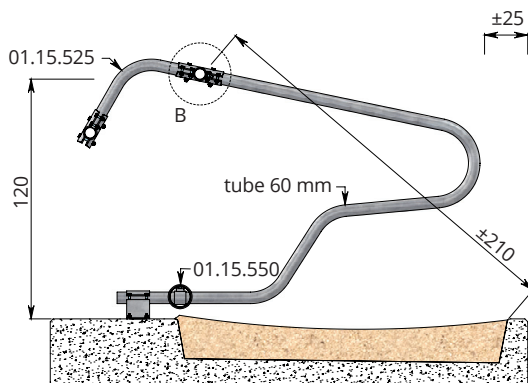
- Quick release for easy backdriving cow

01.15.500
Model 'Cosmos'
for cows,
single row,
unattached

Stall width
110-120
center to center



Detail B



01.15.500 Freestall divider model 'Cosmos'
(mounting support piece and T-clamp included)

Fittings

- 11.11.240** Floor anchor M12 x 106 (4 per divider)
- 10.20.600** Tube 60 mm, length 6 m
- 04.21.020** Tube clamp coupling 60 mm
- 04.24.020** End coupling 60 mm
- 01.15.550** Knee rail attachment PE125 for 'Cosmos', adjustable (1 per divider)
- 01.15.560** PE125 knee rail, length 1.00 Mtr. (stall width 110-115 cm)
- 01.15.561** PE125 knee rail, length 1.07 Mtr. (stall width from 115 cm)
- 01.15.565** PE125 knee rail, length 1.25 Mtr. (last knee rail, from divider to end wall)
- 01.90.370** End coupling for knee rail PE125 (attachment knee rail at end wall)
- 11.11.210** Floor anchor M10 x 71 mm (2 per end coupling)
- 01.15.590** Quick release for Cosmos

Model 'Cosmos' with head rail and neck rail

- 01.15.525** Connection for head rail four-way clamp incl. (1 per divider)

