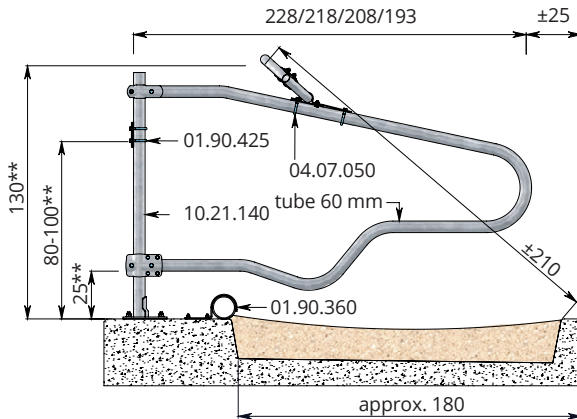
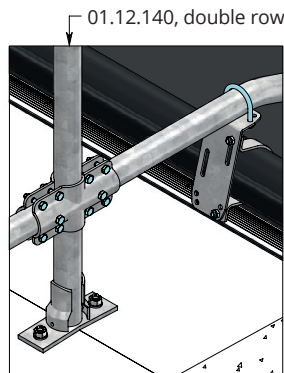
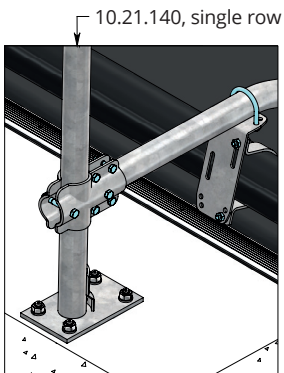


01.13....
Model 'Comfort-NG'
for cows
mounted to
60 mm support post

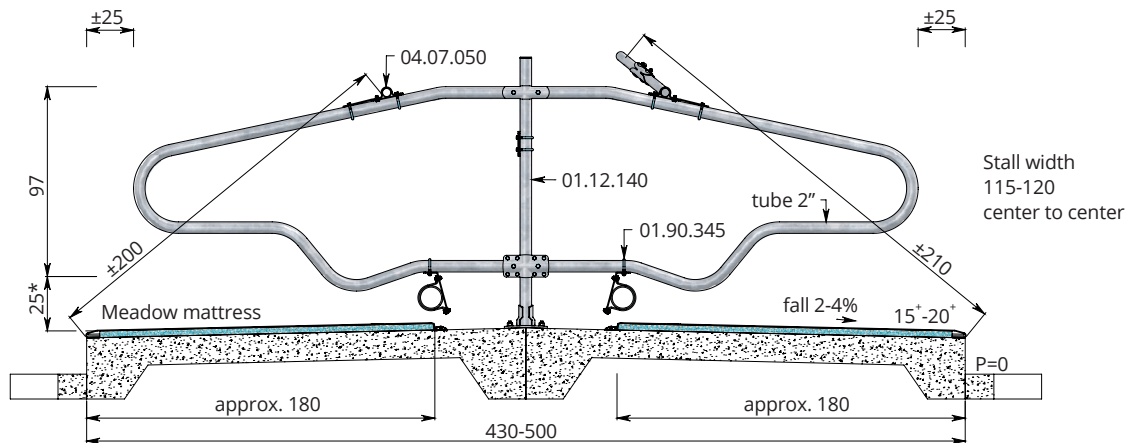
Stall width
115-120
center to center



deep litter freestall



01.13....
Model 'Comfort-NG'
for cows
Double row
mounted to
60 mm support post



Freestall divider model Comfort-NG

This freestall divider looks a lot like the model Profit. The Spinder curl, the shape of the lower bar, is almost similar. The characteristics of the divider are thus also very similar. Sturdy and robust, positioning the animals in a straight line in the cubicle. At the front the Comfort is more open, leading to even more space to lie down or stand up.

The Comfort cubicle can be mounted on support posts (one post per cubicle) or on horizontal tubing (1 per 2 cubicles). The system Comfort is thus very flexible. When mounted on support posts one can mount 2 cubicles on 1 central post.

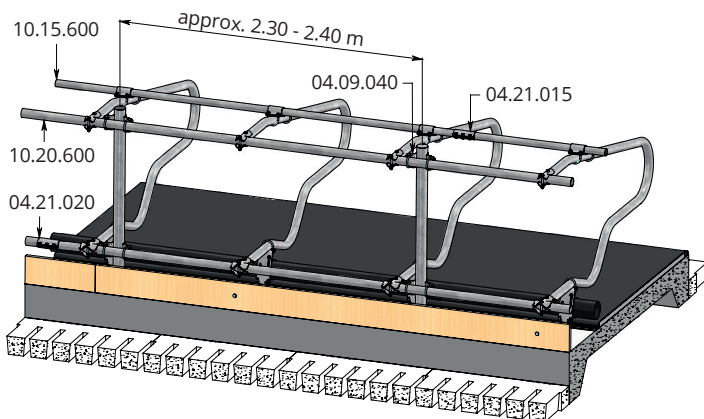
- Optimal resting comfort due to careful design;
- Extra space at the front;
- Durability, due to suspended construction;
- Flexible to install;
- All the right dimensions are available;
- Allows for all types of matting materials.

Freestall divider for cows, model 'Comfort-NG', mounted to support post 60 mm (T-clamps or four-way clamps are included)

- 01.13.560 Model 'Comfort-NG' 218 - stall floor \geq 250 cm
- 01.13.550 Model 'Comfort-NG' 208 - stall floor 240 cm
- 01.13.530 Model 'Comfort-NG' 193 - stall floor 220 cm
- 01.13.575 Model 'Comfort-NG' 228/228 - stall floor 500 cm
- 01.13.565 Model 'Comfort-NG' 218/218 - stall floor 480 cm
- 01.13.555 Model 'Comfort-NG' 208/208 - stall floor 460 cm
- 01.13.545 Model 'Comfort-NG' 193/208 - stall floor 445 cm
- 01.13.535 Model 'Comfort-NG' 193/193 - stall floor 430 cm

Fittings

- 04.07.050 Shoulder rail strap clamp 48 x 60 mm
- 10.21.140 Floor-mounted support post 60 mm x 140 cm (item no. for single row)
- 01.12.140 Floor-mounted support post 60 mm x 140 cm (item no. for double row)
- 10.21.150 Floor-mounted support post 60 mm x 150 cm (item no. for deep litter system)
- 10.20.160 Support post 60 mm x 160 cm
- 11.02.200 Plastic protective sleeve 60 mm
- 11.06.200 Stopper 60 mm
- 11.11.250 Floor anchor M16 x 120 mm (use 4 when installing a single row) (use 2 when installing a double row)
- 11.12.016 Chemical anchor M16 (10 anchors)
- 10.15.600 Tube 48 mm, length 6 m
- 04.21.015 Tube clamp coupling 48 mm
- 04.24.215 Extended end coupling
- 01.90.345 Knee rail support for PE125
- 01.90.425 Belt clamp for 60 mm tubing (bolts and nuts are included)
- 01.90.400 Retainer belt 50 mm, 100 m roll
- 01.90.405 Retainer belt 50 mm, 50 m roll



Mounted to horizontal tubing: stall adjustable in height and width.

Freestall divider model 'Comfort-NG', mounted to horizontal tubing

Important advantages:

- Shoulder rail height 120 cm, therefore plenty of room for getting up and laying down;
- Freedom when resting due to the special design;
- Durability, due to the suspended construction;
- Adjustable in height and width;
- Stall is easy to clean;
- Meadow mattress or waterbeds can be placed without any problem;

Freestall divider for cows, model 'Comfort-NG', mounted to horizontal tubing (T-clamps or four-way clamps are included)

- 01.13.560 Model 'Comfort-NG' 218 - stall floor \geq 250 cm
- 01.13.550 Model 'Comfort-NG' 208 - stall floor 240 cm
- 01.13.530 Model 'Comfort-NG' 193 - stall floor 220 cm
- 01.13.575 Model 'Comfort-NG' 228/228 - stall floor 500 cm
- 01.13.565 Model 'Comfort-NG' 218/218 - stall floor 480 cm
- 01.13.555 Model 'Comfort-NG' 208/208 - stall floor 460 cm
- 01.13.545 Model 'Comfort-NG' 193/208 - stall floor 445 cm
- 01.13.535 Model 'Comfort-NG' 193/193 - stall floor 430 cm

Fittings

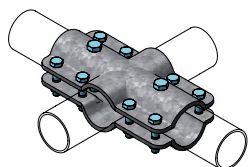
- 04.07.050 Shoulder rail strap clamp 48 x 60 mm
- 10.25.160 Support post 76 mm x 160 cm
- 11.02.250 Plastic protective sleeve 76 mm
- 11.06.250 Stopper 76 mm
- 10.26.130 Floor-mounted support post 76 mm x 130 cm
- 11.11.250 Floor anchor M16 x 120 mm
- 11.12.016 Chemical anchor M16 (10 anchors) an alternative to floor anchor
- 04.09.040 Strap clamp 76 x 60 mm
- 10.15.600 Tube 48 mm, length 6 m
- 04.21.015 Tube clamp coupling 48 mm
- 10.20.600 Tube 60 mm, length 6 m
- 04.21.020 Tube clamp coupling 60 mm
- 04.24.215 Extended end coupling
- 04.24.020 End coupling 60 mm
- 01.90.360 Mounting clip for knee rail PE125
- 11.11.210 Floor anchor M10 x 71 (2 per mounting clip)

* - measured from the top of the cow mattress

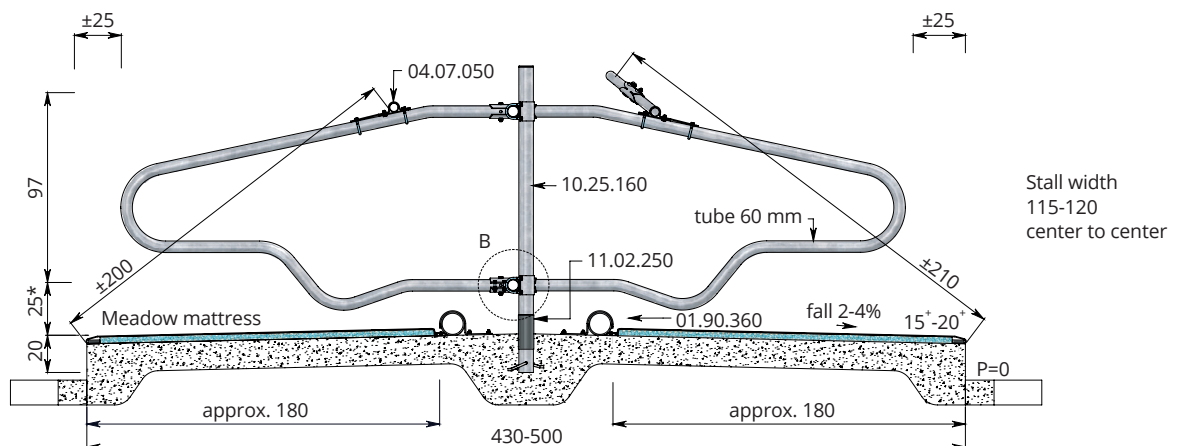
Waved neck bar

With the waved neck bar the shoulder height or diagonal boxside - neck rail can be raised up till 30 cm.

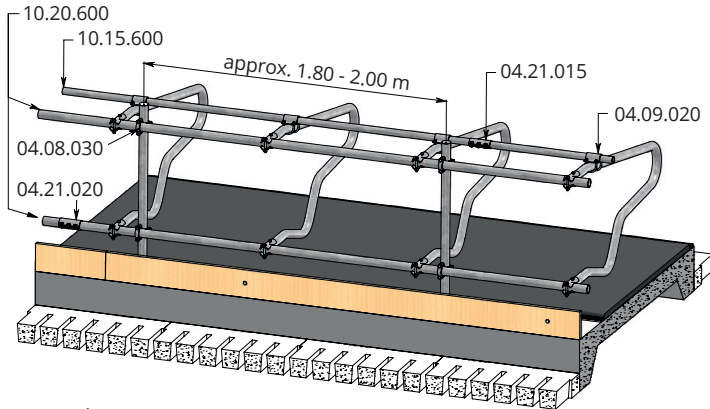
01.13.... Model 'Comfort-NG' for cows Double row mounted to horizontal tubing



Detail B

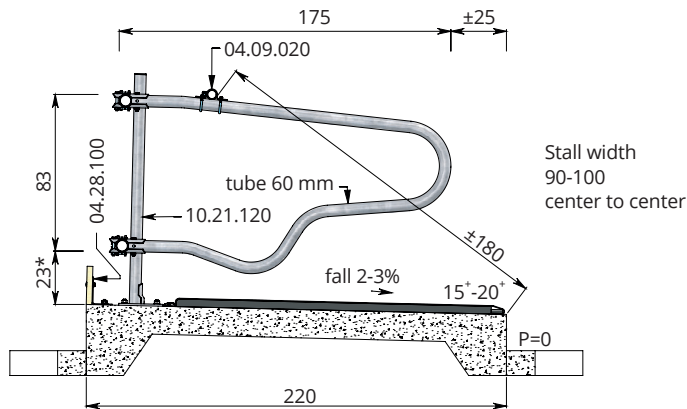


Stall width 115-120 center to center

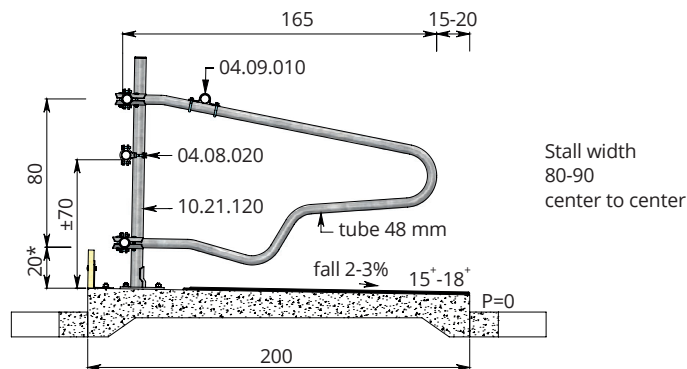


Mounted to 60 mm horizontal tubing; stall adjustable in height and width

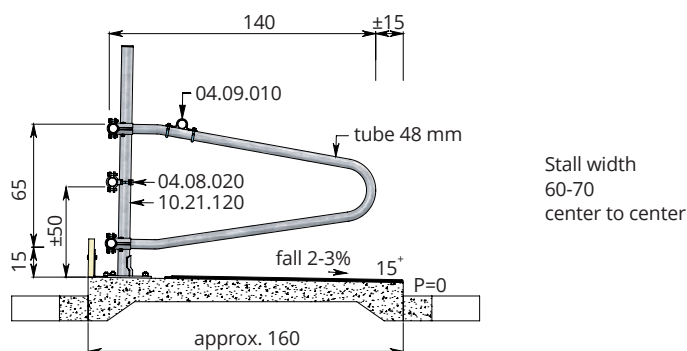
01.31.630
Heifers,
10-18 months
Single row



01.31.620
6-10 months
Single row



01.31.610
2-6 months
Single row



Heifers and young stock are the future of a dairy herd, therefore they need to be well cared for. Dairy farmers working with a freestall system for every age group get better results. Housing of the animals in dry, well-designed stalls with comfortable dividers, is essential for the development of these animals.

<p>01.13.530 01.13.535</p>	<p>Heifers 18-22 months, stall width 100-110 center to center</p> <p>Single row 60 mm, (T-clamps included) Model 'Comfort-NG' 193</p> <p>Double row 60 mm, (four-way clamps included) Model 'Comfort-NG' 193/193</p> <p>Fittings See page 1.5</p>
<p>01.31.630 01.31.635</p>	<p>Heifers 10-18 months, stall width 90-100 center to center</p> <p>Single row 60 mm, (T-clamps included) Double row 60 mm, (four-way clamps included)</p> <p>Fittings</p> <p>04.09.020 Strap clamp 48 x 60 mm 11.06.200 Stopper 60 mm 10.21.120 Floor-mounted support post 60 mm x 120 cm 11.11.250 Floor anchor M16 x 120 mm 11.12.016 Chemical anchor M16 (10 anchors) an alternative to floor anchor 04.08.030 Cross clamp 60 x 60 mm 10.15.600 Tube 48 mm, length 6 m 04.21.015 Tube clamp coupling 48 mm 10.20.600 Tube 60 mm, length 6 m 04.21.020 Tube clamp coupling 60 mm 04.24.115 Adjustable end coupling 04.08.010 Matching cross clamp 48 x 48 mm 04.24.020 End coupling 60 mm 04.28.100 Angle support 10 x 14 cm</p>
<p>01.31.620 01.31.625</p>	<p>Calves 6-10 months</p> <p>Single row 48 mm, (T-clamps included) Double row 48 mm, (four-way clamps included)</p>
<p>01.31.610</p>	<p>Calves 2-6 months</p> <p>Single row 48 mm, (T-clamps included)</p> <p>Fittings</p> <p>04.09.010 Strap clamp 48 x 48 mm 11.06.200 Stopper 60 mm 10.21.120 Floor-mounted support post 60 mm x 120 cm 11.11.250 Floor anchor M16 x 120 mm 11.12.016 Chemical anchor M16 (10 anchors) an alternative to floor anchor 04.08.020 Cross clamp 48 x 60 mm 10.15.600 Tube 48 mm, length 6 m 04.21.015 Tube clamp coupling 48 mm 04.24.115 Adjustable end coupling 04.08.010 Matching cross clamp 48 x 48 mm 04.24.015 End coupling 48 mm 04.28.100 Angle support 10 x 14 cm</p> <p>* - measured from the top of the cow mattress</p>