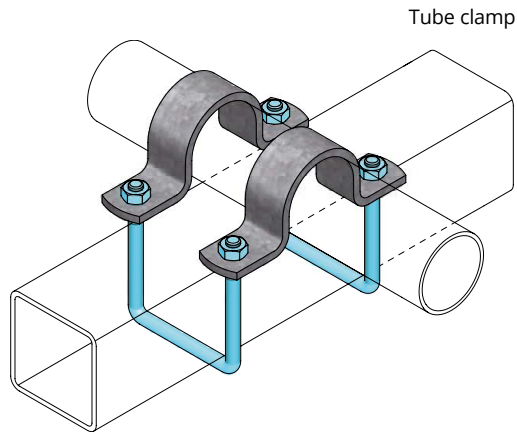
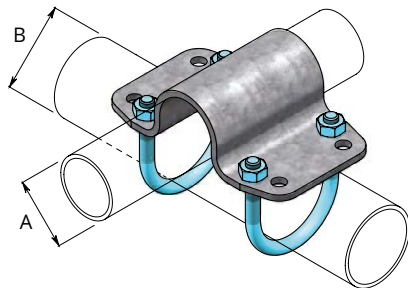


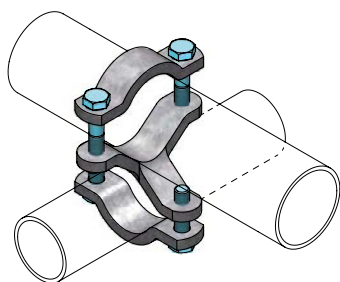
Wire clamp



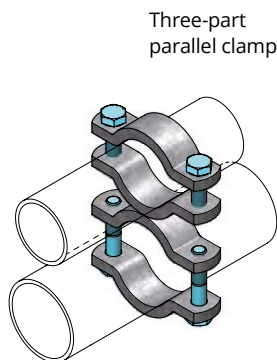
Tube clamp



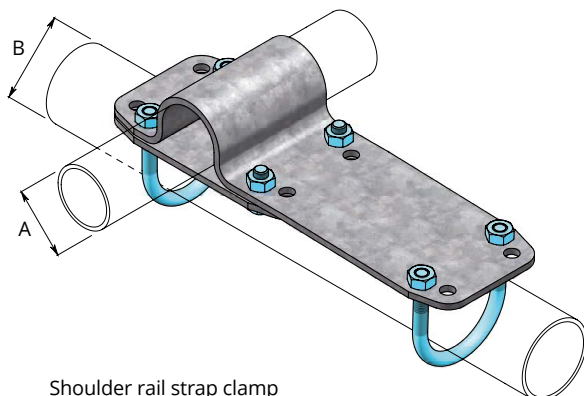
Strap clamp



Cross clamp



Three-part parallel clamp



Shoulder rail strap clamp

## item-no.

## Wire clamp

	Size A x B
<b>04.04.005</b>	34 x 34 mm (TG245)
<b>04.04.010</b>	48 x 48 mm
<b>04.04.015</b>	48 x 60 mm
<b>04.04.020</b>	76 x 48 mm

## Tube clamp

	For clamping square and round tubing.
	Size
<b>04.22.065</b>	70 . . . 80 x 60 mm
<b>04.22.080</b>	60 x 102 mm
<b>04.22.085</b>	60 x 114 mm

## Strap clamp

	Recommended for mounting shoulder rails to freestalls.
	Size A x B
<b>04.09.010</b>	48 x 48 mm
<b>04.09.020</b>	48 x 60 mm
<b>04.09.025</b>	60 x 60 mm
<b>04.09.030</b>	76 x 48 mm
<b>04.09.040</b>	76 x 60 mm
<b>04.09.050</b>	89 x 48 mm
<b>04.09.060</b>	89 x 60 mm

## Three-part parallel clamp

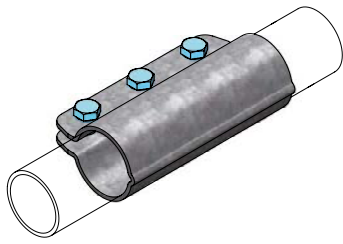
	Size
<b>04.16.010</b>	48 x 48 mm
<b>04.16.020</b>	48 x 60 mm
<b>04.16.030</b>	60 x 60 mm

## Cross clamp

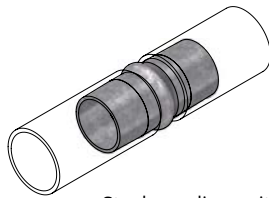
	Size
<b>04.08.010</b>	48 x 48 mm
<b>04.08.020</b>	48 x 60 mm
<b>04.08.030</b>	60 x 60 mm

## Shoulder rail strap clamp

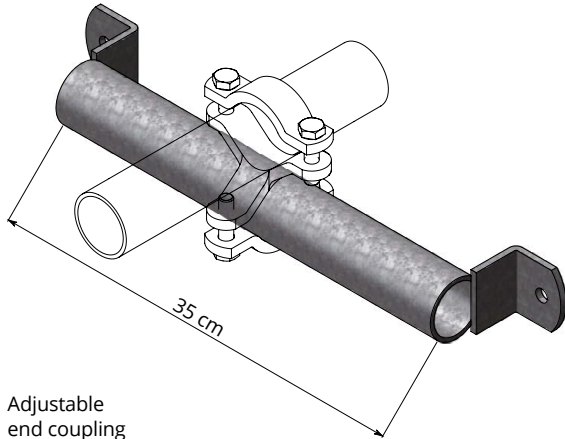
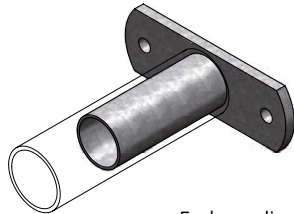
	Specifically made for mounting the shoulder rail to suspended freestalls:
	Size A x B
<b>04.07.049</b>	48 x 48 mm
<b>04.07.050</b>	48 x 60 mm



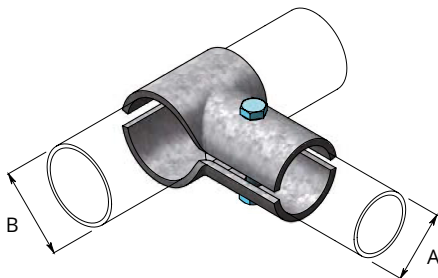
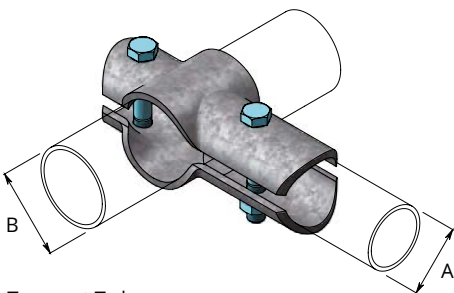
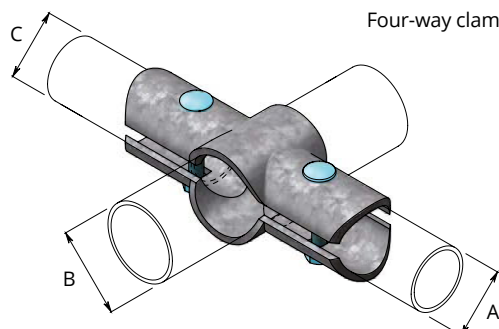
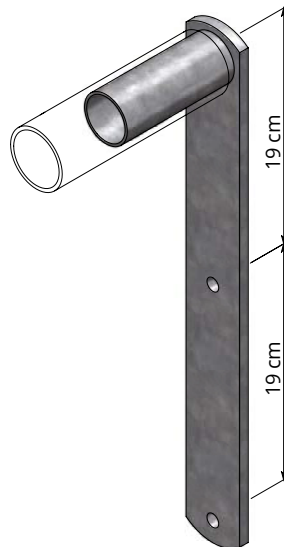
Tube clamp coupling



Steel coupling unit

Adjustable  
end coupling

End coupling

Two-part  
T-clampTwo-part T-clamp  
heavy versionExtended  
end coupling

Four-way clamp

## item-no.

## Tube clamp coupling

Specially designed tube clamp coupling for extra sturdiness, e.g. for mounting shoulder rails to suspended freestalls.

Size  
**04.21.015** For tube 48 mm  
**04.21.020** For tube 60 mm

## Steel coupling unit

Steel coupling unit to connect tubing.

Size  
**04.20.015** For tube 48 mm  
**04.20.020** For tube 60 mm  
**04.20.025** For tube 76 mm

## End coupling

For mounting tubing to the wall or the floor, e.g. for mounting neck rail to a wall.

Size  
**04.24.015** For tube 48 mm  
**04.24.020** For tube 60 mm

## End coupling, adjustable

For adjustable mounting of the shoulder rail to the wall by means of a wire clamp or cross clamp.

Size  
**04.24.115** 48 mm x 35 cm

## Fittings

**04.08.010** Cross clamp 48 x 48 mm  
**04.04.010** Wire clamp 48 x 48 mm

## Extended end coupling

**04.24.215** For mounting a shoulder rail to an end wall which is positioned lower.

## Fittings for all end couplings

**11.11.210** Floor anchor M10 x 71 (2 per strip)

## Two-part T-clamp

Size A x B  
**04.12.010** 34 x 48 mm  
**04.12.020** 48 x 48 mm  
**04.12.130** 48 x 60 mm  
**04.12.040** 48 x 76 mm  
**04.12.160** 60 x 60 mm (TJ210)  
**04.12.190** 60 x 76 mm (TJ210)

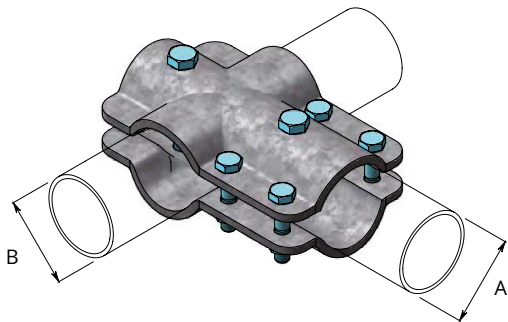
## Two-part T-clamp, heavy version

Particular solid T-clamp with two bolts for an extra sturdy construction.

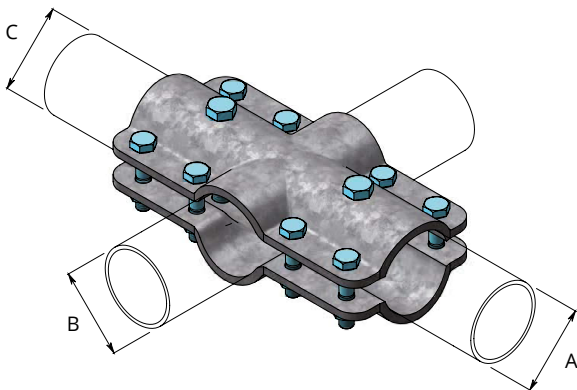
Size A x B  
**04.13.015** 48 x 48 mm  
**04.13.020** 48 x 60 mm  
**04.13.030** 60 x 60 mm  
**04.13.040** 60 x 76 mm

## Four-way clamp

Size A x B x C  
**04.12.025** 48 x 48 x 48 mm  
**04.12.030** 48 x 60 x 48 mm  
**04.12.035** 48 x 76 x 48 mm  
**04.13.035** 60 x 60 x 60 mm  
**04.13.045** 60 x 76 x 60 mm



Two-part T-clamp,  
model Frisia



Four-way clamp,  
model Frisia

**item-no.**

**Extended end coupling**

For mounting a shoulder rail to an end wall which is positioned lower.

**04.24.215** Size  
For 48 mm tube (strip length 42 cm)

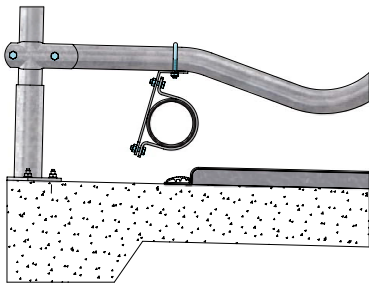
**11.11.210** **Fittings**  
Floor anchor M10 x 71 (2 per strip)

**Two-part T-clamp, model Frisia**

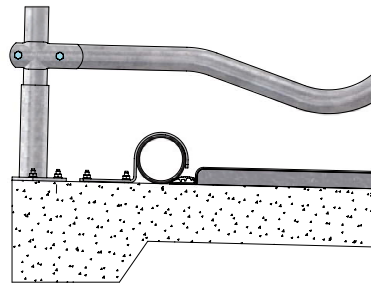
**04.13.032** Size A x B  
**04.13.042** 60 x 60 mm  
60 x 76 mm

**Four-way clamp, model Frisia**

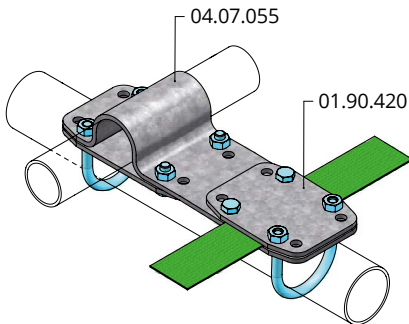
**04.13.037** Size A x B x C  
**04.13.047** 60 x 60 x 60 mm  
60 x 76 x 60 mm



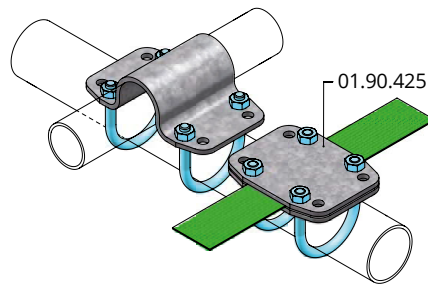
Mounting clip for knee rail PE125



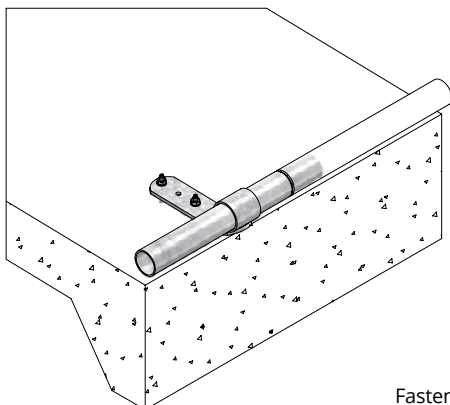
Knee rail support for 'Comfort' and 'Profit'



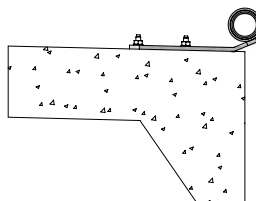
Retainer belt on shoulder rail strap clamp



Retainer belt on 60 mm tubing



Fasteners for retainer bar



### PE retaining knee rail

An ideal solution, to prevent the cows from going too far to the front in the stall, is to install a polyethelene (PE) knee rail. The PE knee rail guides the animal into the perfect position when laying down. As a result the animals will stand up with more ease and the stalls will stay much cleaner. The cows can stretch their front legs comfortably over the rail which has a diameter of 125 mm. The characteristic of polyethelene that it will stay flexible, prevents the knee rail from braking.

With the majority of the free stall divider models, the PE knee rail can be mounted with a knee rail support, which can be adjusted after installation of the dividers. The knee rail adds in this way additional sturdiness to the structure of dividers. The knee rail can be mounted directly to the concrete floor as well, with a special mounting clip Ø125 mm.

#### Important characteristics:

- PE stays flexible, therefore very durable;
- Robust, material thickness 7.4 mm;
- Round shape; does not pinch in the legs;
- Provides additional sturdiness (when mounting knee rail to the freestall divider);
- Can be used with all kinds of bedding materials;
- Adjustable (when mounting knee rail to the freestall divider);

#### item-no.

- 01.90.350** PE125 knee rail, length 6 m  
**01.90.352** Coupling for PE125 knee rail  
**01.90.360** Mounting clip for knee rail PE125  
**01.90.345** Knee rail support for PE125, for freestall divider model 'Comfort' and 'Profit'  
**04.18.225** Mounting clip Ø125 mm (standard model)  
**11.11.210** Floor anchor M10 x 71 (2 pc. per mounting clip)

#### Retainer belt for freestall dividers

A nylon retainer belt instead of a shoulder rail to position the animal. It prevents the cow from rough contact with the shoulder rail. The retainer belt is mounted to each freestall divider with clamps special designed for this product.

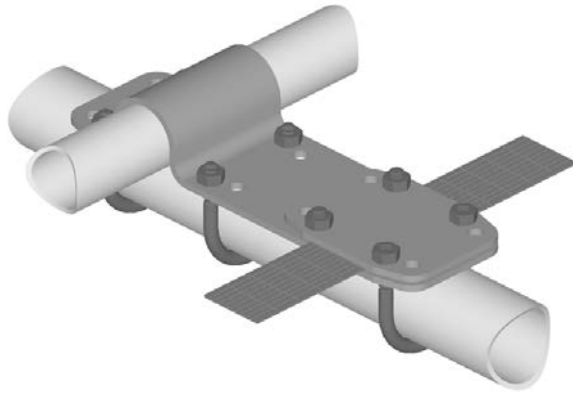
- 01.90.400** Retainer belt 50 mm, 100 m roll  
**01.90.405** Retainer belt 50 mm, 50 m roll  
**01.90.420** Belt clamp for mounting on plate clamp (bolts and nuts are included)  
**04.07.055** Shoulder rail strap clamp with additional holes for mounting the retainer belt  
**01.90.425** Belt clamp for 60 mm tubing (threaded straps and nuts are included)

#### Fastener for retainer bar at the rear edge of the stall floor

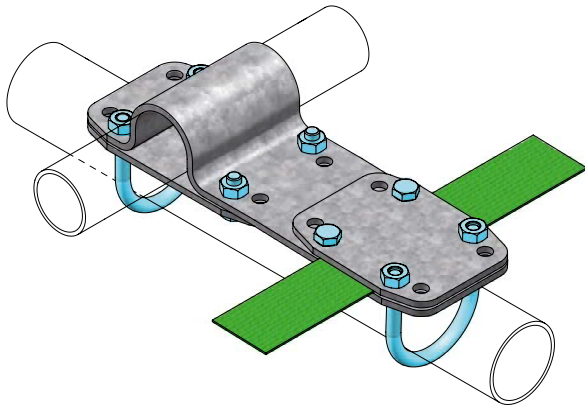
- 01.90.150** Fastener for retainer bar 48 mm  
**01.90.200** Fastener for retainer bar 60 mm  
**01.90.250** Fastener for retainer bar 76 mm  
**11.11.220** Floor anchor bolt M10 x 86 (2 per fastener)

Retainer bar (tube with reduced end part), working length 5.90 m

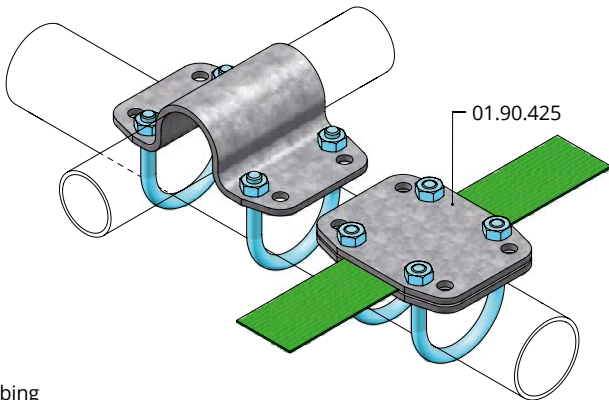
- 10.15.610** Diameter 48 mm  
**10.20.610** Diameter 60 mm  
**10.25.610** Diameter 76 mm



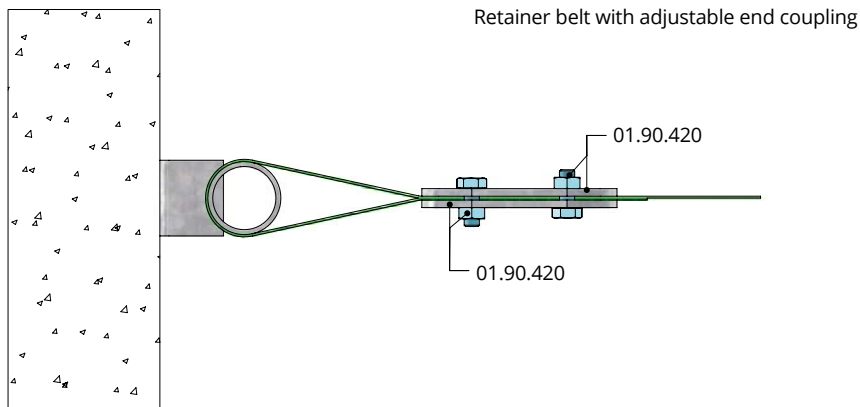
Retainer belt on existing  
shoulder rail strap clamp  
(01.90.420 on 04.07....)



Retainer belt on new  
shoulder rail strap clamp  
(01.90.420 on 04.07.055)



Retainer belt on 60 mm tubing



Retainer belt with adjustable end coupling

### Retaining belt for freestalls

A retainer belt can be installed on all freestall dividers, constructed from 60 mm tubing. The figures shows how to mount the retaining belt to the freestall divider.

When already installed and the shoulder rail has been mounted with a shoulder rail strap clamp, it is sufficient to order the retaining belt and one belt clamp (01.90.420) per freestall divider. When installing one needs to drill two holes in the shoulder rail strap clamp already in place.

In a new situation or when renovating one should order the shoulder rail strap clamp in which the holes for installing a retainer belt are already drilled. Product no. 04.07.055.

In the event that the shoulder rail has been mounted with just a strap clamp without a plate, the plate clamp 01.90.425 can be used.

When using an adjustable end coupling for mounting the shoulder rail to the wall, one can simply attach the retainer belt on this coupling (see figure). Two belt clamps per adjustable end coupling (01.90.420) are required.

### item-no.

#### Retainer belt for freestall dividers

A nylon retainer belt instead of a shoulder rail to position the animal. It prevents the cow from rough contact with the shoulder rail. The retainer belt is mounted to each freestall divider with clamps special designed for this product.

- 01.90.400** Retainer belt 50 mm, 100 m roll
- 01.90.405** Retainer belt 50 mm, 50 m roll
- 01.90.420** Belt clamp for mounting on plate clamp (bolts and nuts are included)
- 04.07.055** Shoulder rail strap clamp with additional holes for mounting the retainer belt
- 01.90.425** Belt clamp for 60 mm tubing (threaded straps and nuts are included)
- 01.90.410** Quick-release fastener for retaining
- 01.90.413** Mounting hook for retaining belt
- 01.90.415** Buckle for retaining belt



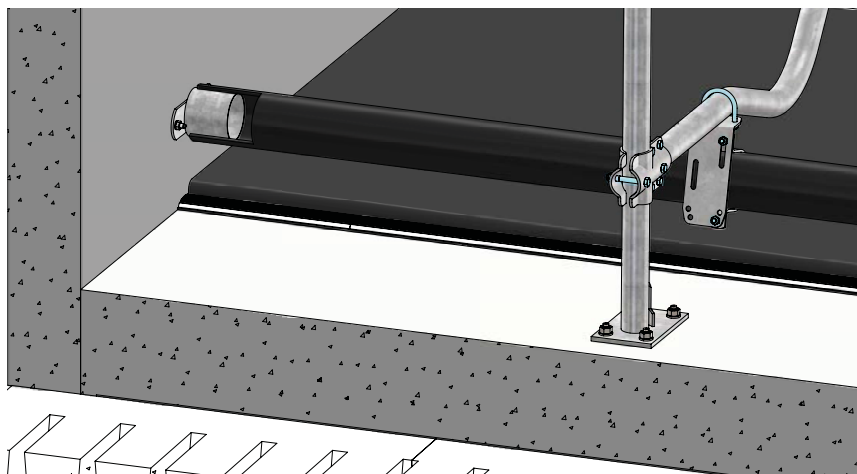
### PE retaining knee rail

An ideal solution, to prevent the cows from going too far to the front in the stall, is to install a polyethylene (PE) knee rail. The PE knee rail guides the animal into the perfect position when lying down. As a result the animals will stand up with more ease and the stall will stay much cleaner. Until a diameter of ca. 150-160 mm the cows can stretch their front legs comfortably over the rail. The characteristic of polyethylene that it will stay flexible, prevents the knee rail from breaking.

The PE retaining knee 125 can be mounted with a knee rail support, which can be adjusted after installation of the dividers. The knee rails adds in this way additional sturdiness to the structure of dividers. The knee rail can be mounted directly to the concrete floor as well, with a special mounting clip.

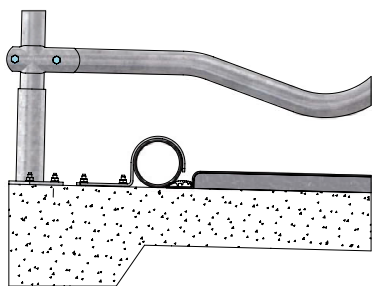
#### Important characteristics:

- PE stays flexible, therefore durable;
- Robust, material thickness 7.4 - 9.5 mm;
- Round shape, does not pinch in the legs;
- Provides additional sturdiness (when mounting knee rail to the freestall divider);
- Can be used with all kinds of bedding materials;
- Adjustable (when mounting knee rail to the freestall divider);

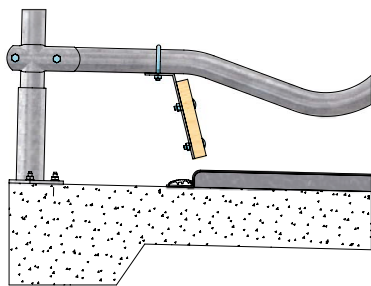


• End coupling for PE125

• Knee rail support for PE125, 'Comfort' and 'Profit'



• Mounting clip for knee rail PE125, 160



• Knee rail support for 'Comfort' en 'Profit'

#### item-no.

#### PE125 knee rail - material thickness 7.4 mm

- 01.90.350** PE125 knee rail, length 6 m  
**01.90.352** Coupling for PE125 knee rail  
**01.90.360** Mounting clip for knee rail PE125  
 (1 mounting clip per 1.10 - 1.25 m)  
**11.11.210** Floor anchor M10 x 71 (2 per mounting clip)  
**01.90.345** Knee rail support for PE125, for freestall divider  
 model 'Comfort' and 'Profit'  
**01.90.370** End coupling for PE125  
**11.11.210** Floor anchor M10 x 71 (2 per end coupling)

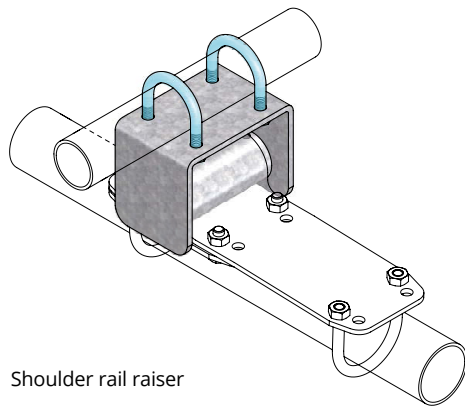
#### PE160 knee rail - material thickness 9.5 mm

- 01.90.355** PE160 knee rail, length 6 m  
**01.90.354** Coupling for PE160 knee rail  
**01.90.362** Mounting clip for knee rail PE160  
 (1 mounting clip per 2.20 - 2.50 m)  
**11.11.210** Floor anchor M10 x 71 (2 per mounting clip)

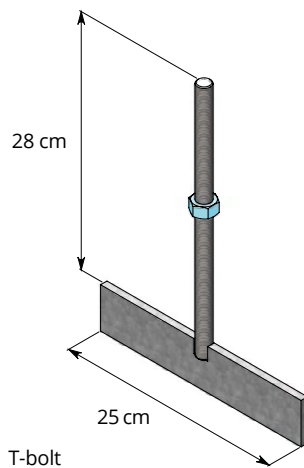
#### Retaining knee rail support

To install a (wooden) retaining knee rail.

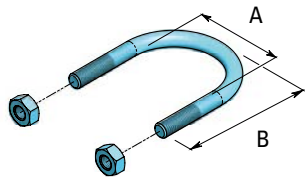
- 01.90.320** Retaining knee rail support for freestall divider:  
 Model 'Comfort' and 'Profit', 60 mm  
**01.90.315** Retaining knee rail support for freestall dividers for  
 youngstock: Model 'Comfort' and 'Profit', 48 mm



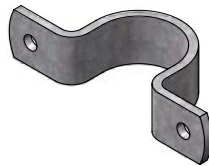
Shoulder rail raiser



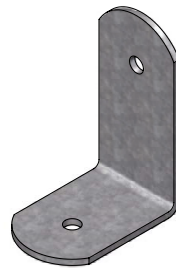
T-bolt



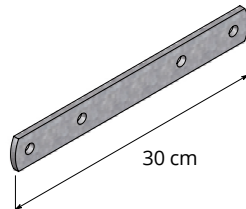
Threaded strap



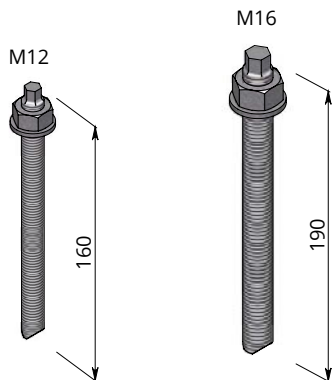
Mounting clip



Angel support



Connecting piece for wooden parts



Anchor rod, standard



Floor anchor

item-no.	type	L (mm)	bore Ø	L (mm)	Nm
11.12.012	M 12	95	14	110	30
11.12.016	M 16	95	18	125	60

## item-no.

## Shoulder rail raiser

- Solid construction to raise the shoulder rail.
- Adjustable in height from 0-10 cm;
  - Designed for the suspended freestall divider;
  - 2 threaded straps are included;

01.90.500

Shoulder rail raiser 10 cm

## T-bolt

- T-bolt M16 with nut, for mounting support post onto grid floor.
- Size 28 x 25 cm

11.10.300

## Threaded strap

- Threaded strap M10, galvanized, nuts included.

04.53.065

Size A x B

34 x 65 mm

04.53.085

34 x 85 mm

04.55.075

48 x 75 mm

04.56.090

60 x 90 mm

04.57.250

76 x 105 mm

04.66.090

∇ 60 x 90 mm

04.80.110

∇ 80 x 110 mm

## Mounting clip

04.18.010

34 mm

04.18.015

48 mm

04.18.020

60 mm

04.18.025

76 mm

04.18.030

89 mm

04.18.050

102 mm

04.18.055

108 mm

04.18.040

114 mm

04.18.060

∇ 60 x 60 mm

04.18.080

∇ 80 x 80 mm

04.18.110

∇ 80 x 120 mm

## Angle support

- For fastening wooden front to the floor, etc.

04.28.100

Size 10 x 14 cm

## Connecting piece for wooden parts

02.96.030

- For connecting wooden parts underneath the feed front.

## Floor anchor

- Steel anchor bolt.

- Characteristics:

- Hot dip galvanized;
- Bolt diameter = drill diameter;
- Self-locking;

11.11.210

Diam. x length

M10 x 71 mm

11.11.220

M10 x 86 mm

11.11.225

M10 x 126 mm

11.11.230

M12 x 86 mm

11.11.240

M12 x 106 mm

11.11.250

M16 x 120 mm

## Chemical anchors

- Concrete anchor, consisting of mortar capsule and hot dip galvanized rod.

- Characteristics:

- No pre-stress in concrete;
- Very suitable for our floor mounted support posts;

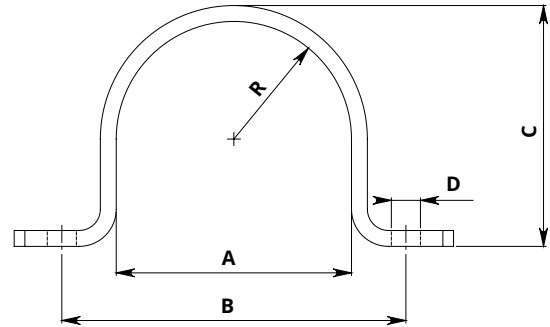
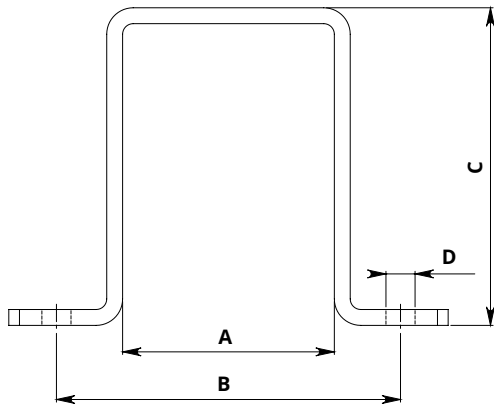
- Standard model

11.12.012

M12, incl. capsule (10 anchors)

11.12.016

M16, incl. capsule (10 anchors)



Item no.	Mounting clip	A (mm)	B (mm)	C (mm)	D (mm)	Material (mm)
04.18.010	Ø 34 mm	33,7	85	38	Ø 11	35 x 6
04.18.015	Ø 48 mm	48,3	100	51	Ø 11	35 x 6
04.18.020	Ø 60 mm	60,3	130	63	Ø 11	35 x 6
04.18.025	Ø 76 mm	76,1	130	78	Ø 11	35 x 6
04.18.030	Ø 89 mm	88,9	130	91	Ø 11	35 x 6
04.18.040	Ø 114 mm	114,3	175	115	Ø 11	35 x 6
04.18.050	Ø 102 mm	102	175	102	Ø 11	35 x 6
04.18.055	Ø 108 mm	108	175	109	Ø 11	35 x 6
04.18.225	Ø 125 mm	125	175	126	Ø 11	35 x 6
04.18.060	60 x 60 mm	60	130	60	Ø 11	35 x 6
04.18.080	80 x 80 mm	80	130	80	Ø 11	35 x 6
04.18.110	80 x 120 mm	80	130	120	Ø 11	35 x 6
04.18.140	80 x 140 mm	80	130	140	Ø 11	35 x 6
04.19.027	Ø 27 mm	27	65	30	Ø 11	30 x 5
04.19.070	Ø 70 mm	70	124	72	Ø 13	40 x 6
04.19.110	Ø 110 mm	110	154	110	Ø 11	30 x 5
04.19.121	Ø 121 mm	121	180	119	Ø 13	40 x 8
04.19.133	Ø 133 mm	133	204	138	Ø 17	50 x 10
04.19.139	Ø 139 mm	139	214	142	Ø 17	50 x 10
04.19.152	Ø 152 mm	152	208	155	Ø 13	40 x 6
04.19.160	Ø 160 mm	160	234	159	Ø 16	50 x 10
04.19.168	Ø 168 mm	168	236	170	Ø 17	50 x 10
04.19.177	Ø 177 mm	177	248	181	Ø 17	50 x 10
04.19.194	Ø 194 mm	194	268	198	Ø 17	50 x 10
04.19.200	Ø 200 mm	200	260	200	Ø 14	40 x 6