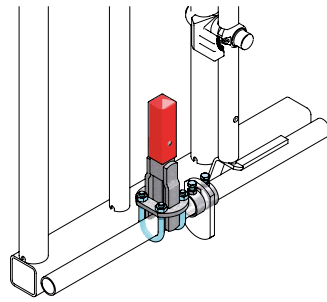
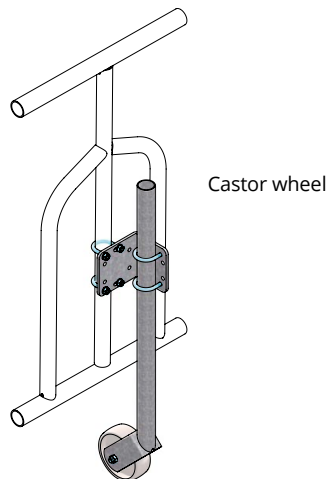
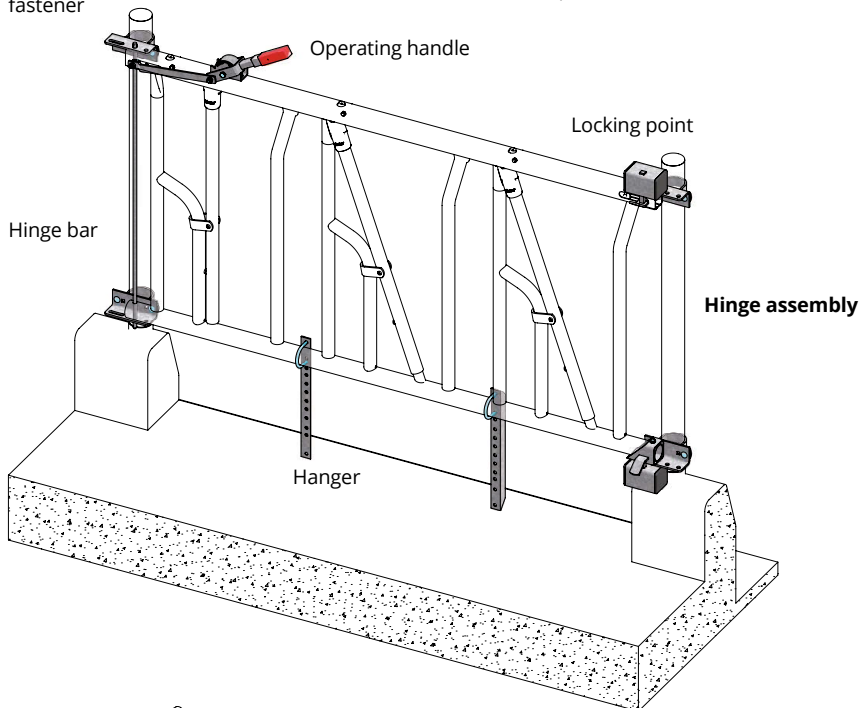


Operating handle for Swedish self-locking feed fronts

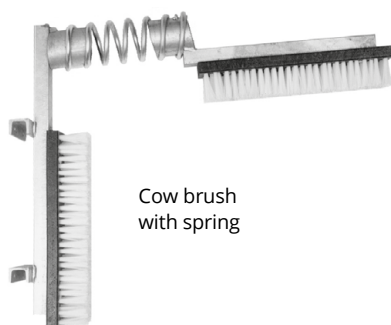
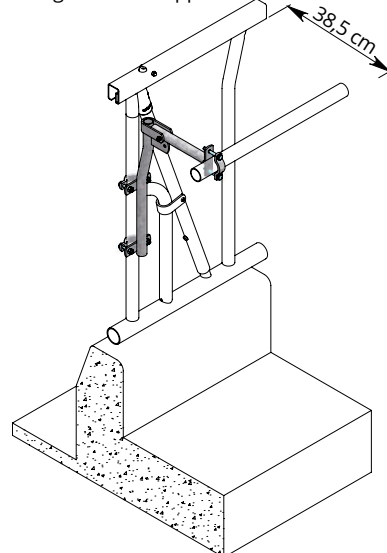


Feed front fastener



Castor wheel

Folding head rail support



Cow brush with spring

item-no.

Operating handle

For central locking of self-locking feed front.

02.92.100

Type of self-locking feed front

Swedish

22.92.680

Hidden locking types

A feed front with a maximum length of 30 m can be operated with one handle.

22.92.500

Safety feed front

A feed front with a maximum length of 20 m can be operated with one handle.

Hinge assembly

A hinge assembly consists of a set of feed front fasteners 0-5/76 mm, a hinge bar, 2 hangers and a set of locking points. When ordering a hinge assembly for self-locking or safety feed fronts an operating handle is included.

02.90.180

Type of feed front

Diagonal

02.90.190

Tombstone

02.90.285

Self-locking with hidden locking

02.90.585

Limo self-locking

02.90.380

Swedish self-locking

02.90.880

Safety feed front

Hinge assembly, separate components

02.91.100

Set of feed front fasteners 0-5/76 mm

02.90.010

Hinge pin 100 cm

02.90.015

Hinge pin 125 cm

02.90.020

Hanger to 48 mm

02.90.030

Hanger to 60 mm

02.90.035

Hanger to 60 mm

02.90.050

Set of locking points

Castor wheel

Usually mounted onto gates longer than 2 m, fastening plate and threaded strap included.

02.90.950

Type of feed front

Diagonal

02.90.960

Tombstone (22.21 and 22.22)

02.90.950

Tombstone (22.24 and 22.25)

02.90.950

Self-locking with hidden locking (24.61 - 24.65)

02.90.960

Limo self-locking (24.66)

02.90.975

Safety feed front

02.90.950

Swedish self-locking

Folding head rail support

A folding head rail prevents the animals from wasting feed. The head rail does not take space away from the feed alley, because of the folding mechanism. Can be mounted to self-locking and safety feed fronts. A length of tubing of 6 m. requires a minimum of 2 head rail supports.

02.94.100

Head rail support, clamps included

10.15.600

Tube 48 mm, length 6 m

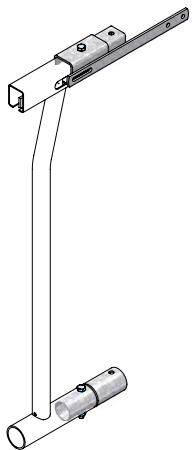
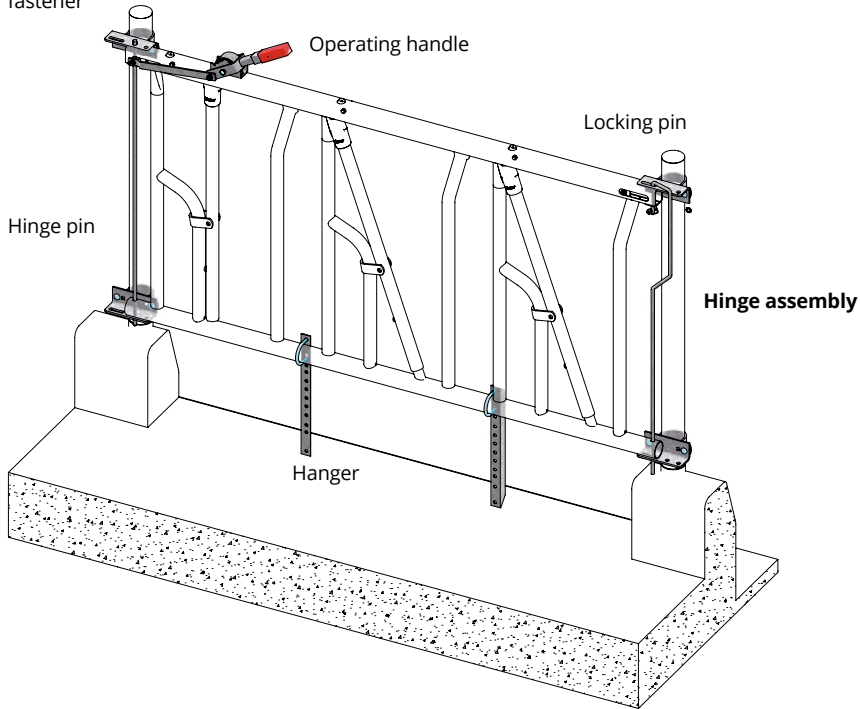
Cow brush with spring

11.15.200

The spring prevents the cow brush from being damaged for example when cows are jumping.

11.15.900

Separate brushes

Feed front
fastener

Feed front extension



item-no.

Hinge assembly with locking pin**for feed front models**

02.90.100	Diagonal
02.90.100	Tombstone for heifers
02.90.105	Tombstone for cows
02.90.205	Self-locking with hidden locking
02.90.300	Swedish self-locking
02.90.505	Self-locking with hidden locking model 24.66
02.90.700	Safety feed front (22.72, 23.71 and 22.70)
02.90.800	Safety feed front 2011 (24.70 and 24.72)
02.90.305	Swedish safety feed front Rubos

Hinge set, separate components

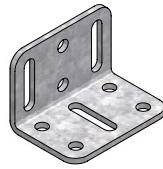
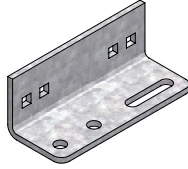
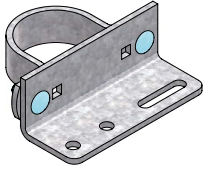
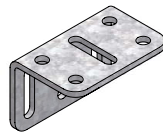
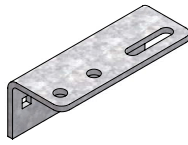
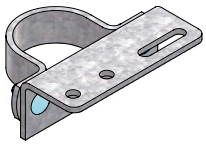
02.91.100	Set of feed front fasteners 0-5/76 mm
02.90.010	Hinge pin 100 cm
02.90.015	Hinge pin 125 cm
02.90.020	Hanger to 48 mm
02.90.030	Hanger to \varnothing 60
02.90.035	Hanger to 60 mm
03.90.400	Locking pin 100 cm
03.90.410	Locking pin 125 cm

Feed front extension

Each feed front section can be extended by 10 cm. Connecting strips or coupling rails are included.

Extension 10 cm for feed front models

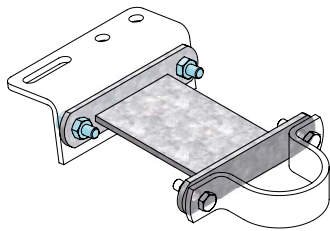
02.95.100	Diagonal
02.95.120	Self-locking with hidden locking
02.95.150	Self-locking with hidden locking model 24.66
02.95.160	Safety feed front



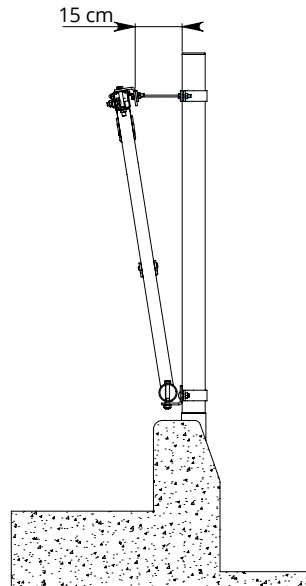
Set of feed front fasteners for mounting to support post

Set of feed front fasteners for mounting to barn posts or wall

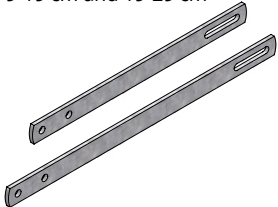
Feed front fasteners for mounting between barn posts



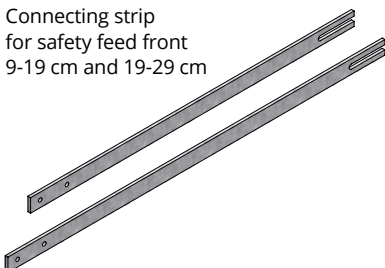
Universel spacer



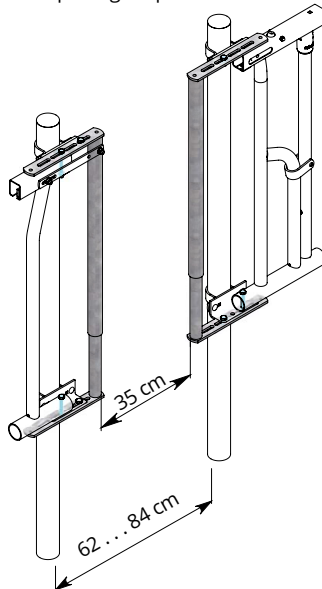
Connecting strip for self-locking feed front 9-19 cm and 19-29 cm



Connecting strip for safety feed front 9-19 cm and 19-29 cm



Man passage clip



item-no.

Set of feed front fasteners

With our universal fasteners the length of every feed front section can be increased by up to 20 cm.

For support post 76 mm

02.91.100 0 - 5 cm
02.91.200 5 - 10 cm
02.91.300 10 - 20 cm

For support post 89 mm

02.91.120 0 - 5 cm
02.91.220 5 - 10 cm
02.91.320 10 - 20 cm

For support post ∇ 80 mm

02.91.180 0 - 5 cm
02.91.280 5 - 10 cm
02.91.380 10 - 20 cm

For support post \varnothing 102 mm

02.91.388 0 - 5 cm
02.91.399 5 - 10 cm
02.91.340 10 - 20 cm

For mounting to barn posts

02.91.135 0 - 5 cm
02.91.235 5 - 10 cm
02.91.335 10 - 20 cm

Complete set of feed front fasteners (4 angle pieces) for mounting 1 feed front between barn posts

02.91.605 0 - 7 cm
02.91.615 5 - 12 cm
02.91.625 10 - 17 cm

Universal spacer

With our universal spacer the feed front can be placed in an inclined position. In this way larger animals do not lean against the upper part of the barrier with their necks when they are eating.

02.91.800 Universal spacer 15 cm, with bolts

Connecting strips

Included with our self-locking feed fronts are connecting strips of 0-9 cm. If the spacing between two feed fronts is bigger than 9 cm, longer connecting strips need to be ordered.

Connecting strip for self-locking feed front

02.22.030 0 - 9 cm (standard at each feed front)
02.22.031 9 - 19 cm
02.22.032 19 - 29 cm

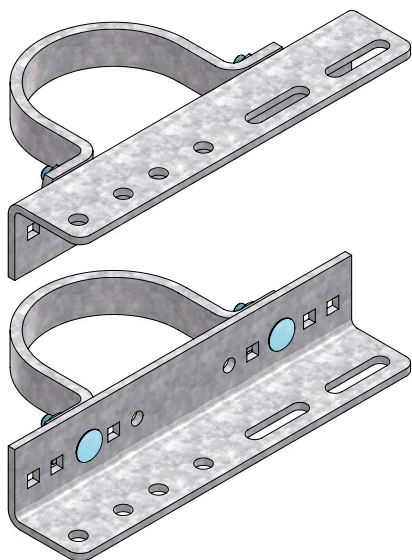
Connecting strip for safety feed front

24.72.030 0 - 9 cm (standard at each feed front)
24.72.031 9 - 19 cm
24.72.032 19 - 29 cm

Man passage clip

To create a handy passage in a row of feed front sections. Suitable for all types of feed fronts, for young stock, heifers and cows. Two adjustable passage clips are shown.

02.93.100 Man passage clip



- Set of feed front fasteners 0 - 20 cm for mounting feed fronts to large barn posts, along forside.



- Barn with central feeding alley. Barn posts Ø160mm on both sides of the feeding alley.



- Detail: opening for the barn post Ø 160mm at side of slatted floor prevents a too wide parapet under the feed front.

Mounting feed fronts to barn post

Higher stables, larger spans and larger center to center barn supports call for heavier (thicker) support posts.

If these barn supports are standing on the side of the feed fronts, Spinder can deliver feed front fasteners for assembly of the feed front at the front of the barn support.

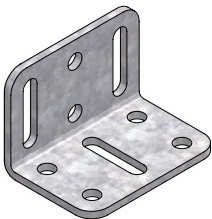
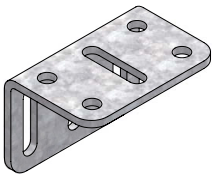
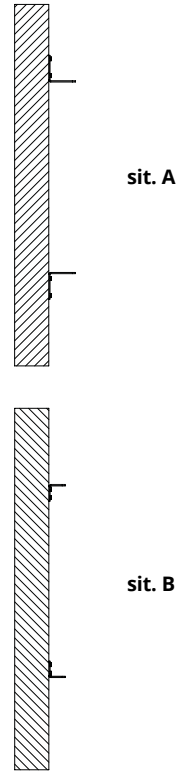
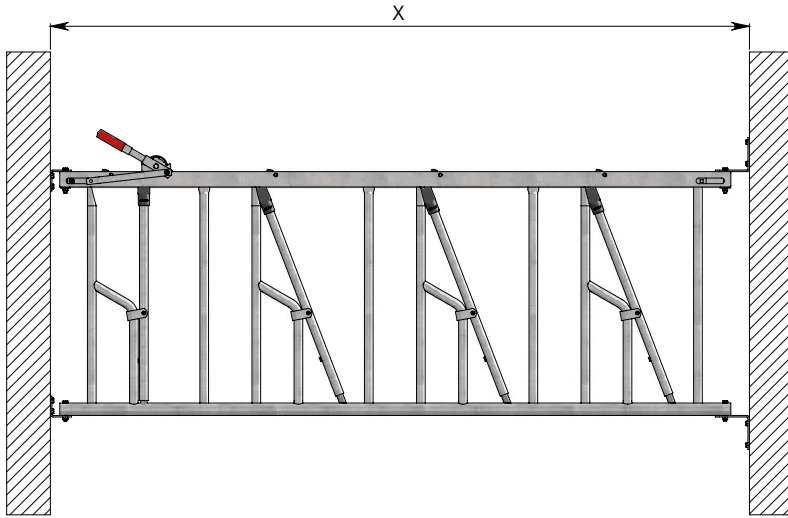
With the thicker support posts is standard used the feed front fastener 0 - 20 cm. If the interspace between two feed fronts is more than 9 cm, longer connectings strips need to be ordered. (see page 34.)

For the dimensions of the parapet under the feed front, see page 22A.

Circa 10 cm cement cover at the front of support post (size WP) and a maximum thickness of the parapet of circa 20 cm (size WT).

item-no.

02.91.408	Mounting to barn post Ø108 mm 0 - 20 cm
02.91.414	Mounting to barn post Ø114 mm 0 - 20 cm
02.91.421	Mounting to barn post Ø121 mm 0 - 20 cm
02.91.425	Mounting to barn post Ø125 mm 0 - 20 cm
02.91.433	Mounting to barn post Ø133 mm 0 - 20 cm
02.91.439	Mounting to barn post Ø139 mm 0 - 20 cm
02.91.452	Mounting to barn post Ø152 mm 0 - 20 cm
02.91.460	Mounting to barn post Ø160 mm 0 - 20 cm
02.91.468	Mounting to barn post Ø168 mm 0 - 20 cm
02.91.477	Mounting to barn post Ø177 mm 0 - 20 cm
02.91.494	Mounting to barn post Ø194 mm 0 - 20 cm
02.91.496	Mounting to barn post Ø200 mm 0 - 20 cm
02.91.182	Mounting to barn post 80 x 140 mm (among other Serrestal) 0 - 5 cm
02.91.282	5 - 10 cm
02.91.382	10 - 20 cm



Set of feed front fasteners for mounting between barn posts

	Revolving feed front		Permanent feed front	
	min. length	max. length	min. length	max.length
02.91.500 sit. A	X - 74	X - 34	X - 74	X + 10
02.91.500 sit. B	X - 74	X - 44	X - 74	X - 10
02.91.510 sit. A	X - 125	X - 83	X - 125	X - 41
02.91.510 sit. B	X - 125	X - 83	X - 125	X - 51
02.91.520 sit. A	X - 176	X - 134	X - 176	X - 92
02.91.520 sit. B	X - 176	X - 134	X - 176	X - 92

This list shows the product numbers.
The feed front sections are actually 10 mm shorter than the lengths stated in the catalogue.



Individual locking 'Indivast'

With the Indivast you can individual secure the cows in the feed front.

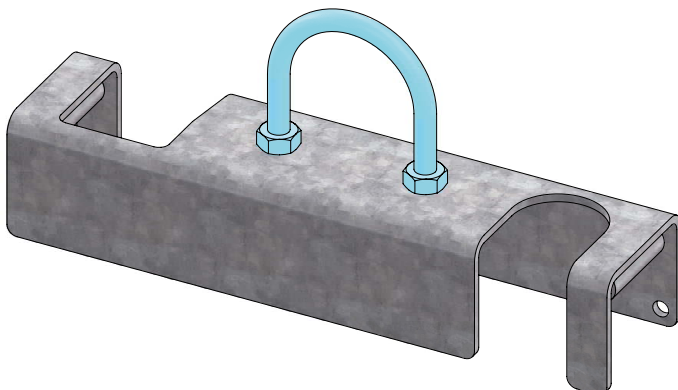
It makes inseminating or other treatments much easier.

The Indivast has two gaps in the steel profile which can be clamped on the bar and the frame.

Locking is easy, place the Indivast rectangular opposite the under tube after which a quarter turn is made. Push it with a little strength below the feed front. The Indivast then lies horizontal on the under tube.

item-no.

22.92.650	Indivast for self locking feed front 22.61 / 22.62 / 24.61 / 24.62 / 24.63
22.92.660	Indivast for self locking feed front 24.66
22.92.750	Indivast for safety feed front 22.72 / 23.71

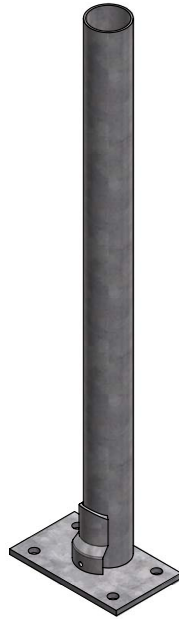




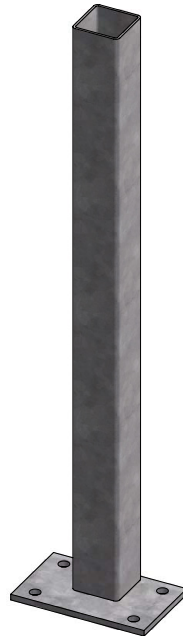
Support post, to be set in concrete



Floor-mounted support post 60 mm



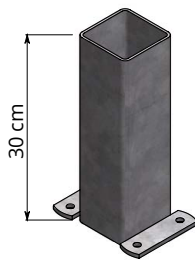
Floor-mounted support post 76 mm and 89 mm

Floor-mounted support post ∇ 80 mm

Expansion tube for post repair



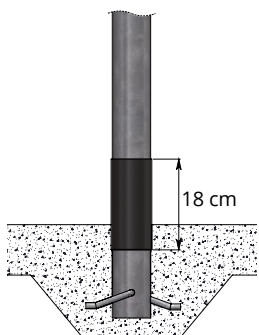
Extension for support post



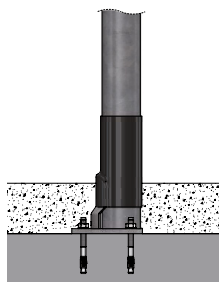
Metal sleeve



Mounting clip



Plastic protective sleeve



Stopper

item-no.

Support post, to be set in concrete

	Size
10.25.140	76 mm x 140 cm
10.25.160	76 mm x 160 cm
10.25.180	76 mm x 180 cm
10.25.200	76 mm x 200 cm
10.30.200	89 mm x 200 cm
10.80.180	∇ 80 x 180 cm

Floor-mounted support post

	Size
10.21.120	60 mm x 120 cm
10.21.140	60 mm x 140 cm
10.26.100	76 mm x 100 cm
10.26.120	76 mm x 120 cm
10.26.130	76 mm x 130 cm
10.26.145	76 mm x 145 cm
10.26.160	76 mm x 160 cm
10.26.170	76 mm x 170 cm
10.26.180	76 mm x 180 cm
10.31.160	89 mm x 160 cm
10.31.180	89 mm x 180 cm
10.81.160	∇ 80 x 160 cm
10.81.180	∇ 80 x 180 cm

Expansion tube for post repair

10.25.950	Expansion \varnothing 70 mm x 54 cm. For the repair of 76 mm support posts in concrete.
-----------	---

Extension for support post

10.25.910	Extension \varnothing 76 mm x 30 cm. To be used where existing support posts are not high enough because of renovation.
-----------	---

Metal sleeve

10.30.030	Especially for removable support posts. For support post 76 mm
10.30.090	For support post ∇ 80 mm

Mounting clip

	For mounting wooden boards to support posts.
	Size
04.18.010	34 mm
04.18.015	48 mm
04.18.020	60 mm
04.18.025	76 mm
04.18.030	89 mm
04.18.050	102 mm
04.18.055	108 mm
04.18.040	114 mm
04.18.060	∇ 60 x 60 mm
04.18.080	∇ 80 x 80 mm
04.18.110	∇ 80 x 120 mm

Plastic protective sleeve

	Length 18 cm
11.02.200	60 mm
11.02.250	76 mm
11.02.300	89 mm
11.02.800	∇ 80 mm
11.02.260	Plastic protective sleeve for floor-mounted support post 76 mm

Stopper

	Size
11.06.200	60 mm
11.06.250	76 mm
11.06.300	89 mm
11.06.800	∇ 80 mm