



- Safety feed front

- Button for individual separation



- Lever for central control



### Safety feed front

Spinder offers you a complete program of animal-friendly feed fronts, with specific sizes and models for every age group. Looking to the future in the area of technique and design, the program is developed to meet the highest demands. With this in mind we have developed the safety feed front for cows. This safety feed front, has a hidden locking mechanism, which is completely integrated into the special top railing of the feed front. By incorporating high quality synthetic parts into the locking mechanism, the system works effortlessly and very quiet. The safety feed front has multiple operation options. For example all the feeding places can be opened and locked at the same time, as well as individually. With the operating handle the feed front (approx. 20 m) can be opened and locked in one move. Especially when you use a forage wagon this option proves to be very handy. Before feeding the feed front is completely locked. As soon as foraging is done the handle is simply pulled back to give the whole group access to the feed. This avoids anxiety in the group. The Spinder safety feed front has an upper and a lower head opening. In emergencies, when a cow goes down, she can free herself from the lower head opening. With a simple move the feed front can be placed in this 'safety position'. The lower head opening can also be opened individually per cow by a push of a button.

The latest development at the Spinder safety feed front allows you to separate one or a few cows from the herd in an easy way. Just by the upset of a button above the cow(s) you want to separate. All the other cows can be subsequently released by means of pulling back the central operating handle into the free access position.

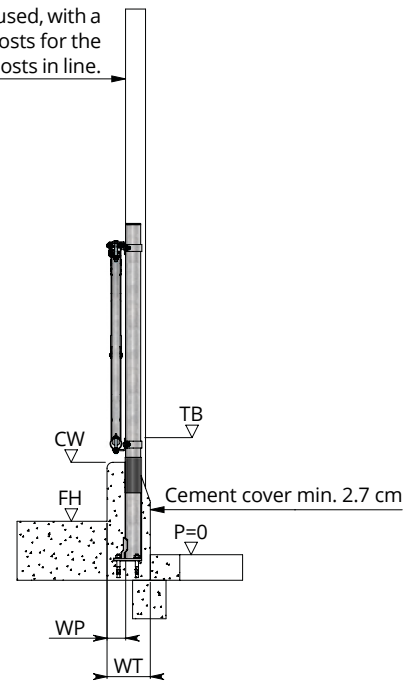
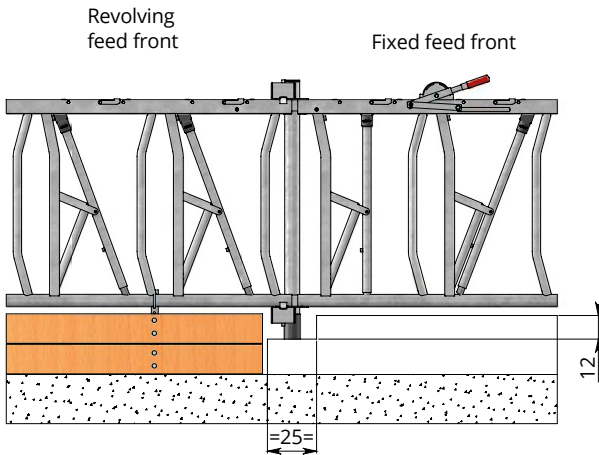
### Major characteristics:

- Robust construction;
- Spacious head opening of 42 cm;
- Overall height 105 cm;
- Simple to operate;
- Open position, allowing the cows to move their heads in and out freely;
- Self-locking position, where the cows lock themselves in automatically while eating;
- Locked position, one action will lock the complete feed front;
- Push button function, to release the animals individually;
- Possibility of separating individual cows;
- Ear tag friendly;

### Mounting

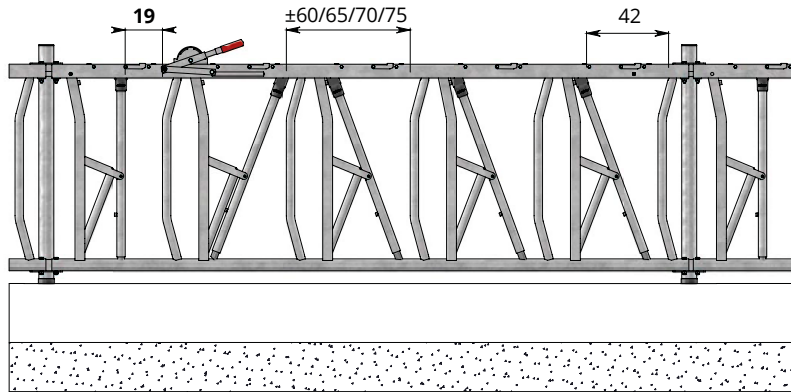
The safety feed front is mounted to 76 mm support posts with our universal fasteners. This way it is possible to extend a feed front section by 5 cm. If this proves insufficient, longer feed front fasteners are available. By mounting a hinge assembly a front section of up to 325 cm can be turned into a gate. The locking mechanism of a gate is operated separately.

In situations where support posts are used, with a different diameter than the support posts for the feed fronts, keep the fronts of all the posts in line.

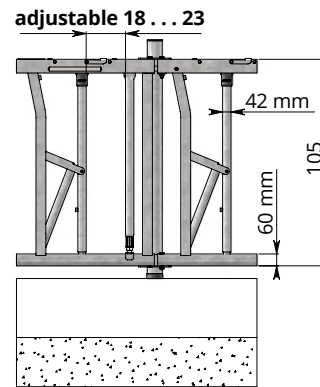


Model	Catalogue page	Feed alley height FH	Top of Bottom rail TB	Cement wall height CW*	Wall thickness WT	Distance wall to post WP
24.72	23	10 <sup>+</sup> -15 <sup>+</sup>	60 <sup>+</sup> -65 <sup>+</sup>	50 <sup>+</sup>	<b>22</b>	10
24.70	23	10 <sup>+</sup> -15 <sup>+</sup>	60 <sup>+</sup> -65 <sup>+</sup>	50 <sup>+</sup>	<b>22</b>	10
24.66	25	10 <sup>+</sup> -15 <sup>+</sup>	60 <sup>+</sup> -65 <sup>+</sup>	53 <sup>+</sup>	<b>22</b>	10
24.61	26	10 <sup>+</sup> -15 <sup>+</sup>	63 <sup>+</sup> -68 <sup>+</sup>	53 <sup>+</sup>	20	8
24.62/63	27	10 <sup>+</sup> -15 <sup>+</sup>	58 <sup>+</sup> -63 <sup>+</sup>	48 <sup>+</sup>	20	8
24.64	27	10 <sup>+</sup> -15 <sup>+</sup>	48 <sup>+</sup> -53 <sup>+</sup>	38 <sup>+</sup>	20	8
24.64	27	10 <sup>+</sup> -15 <sup>+</sup>	43 <sup>+</sup> -48 <sup>+</sup>	30 <sup>+</sup>	20	8
24.65	28	10 <sup>+</sup> -15 <sup>+</sup>	43 <sup>+</sup> -48 <sup>+</sup>	30 <sup>+</sup>	20	8
22.11	28	10 <sup>+</sup> -15 <sup>+</sup>	60 <sup>+</sup> -65 <sup>+</sup>	50 <sup>+</sup>	20	8
22.13	28	10 <sup>+</sup> -15 <sup>+</sup>	50 <sup>+</sup> -55 <sup>+</sup>	40 <sup>+</sup>	20	8
22.13	28	10 <sup>+</sup> -15 <sup>+</sup>	45 <sup>+</sup> -50 <sup>+</sup>	35 <sup>+</sup>	20	8
02.32/33	29	10 <sup>+</sup> -15 <sup>+</sup>	60 <sup>+</sup> -65 <sup>+</sup>	50 <sup>+</sup>	<b>28</b>	16
02.30	29	10 <sup>+</sup> -15 <sup>+</sup>	60 <sup>+</sup> -65 <sup>+</sup>	50 <sup>+</sup>	<b>29</b>	17
02.59	33	10 <sup>+</sup> -15 <sup>+</sup>	55 <sup>+</sup>	45 <sup>+</sup>	28	16
22.21	31	10 <sup>+</sup> -15 <sup>+</sup>	63 <sup>+</sup> -68 <sup>+</sup>	53 <sup>+</sup>	20	8
22.22	31	10 <sup>+</sup> -15 <sup>+</sup>	58 <sup>+</sup> -63 <sup>+</sup>	48 <sup>+</sup>	20	8
22.24	31	10 <sup>+</sup> -15 <sup>+</sup>	48 <sup>+</sup> -53 <sup>+</sup>	38 <sup>+</sup>	20	8
22.25	31	15 <sup>+</sup>	40 <sup>+</sup> -45 <sup>+</sup>	30 <sup>+</sup>	20	8

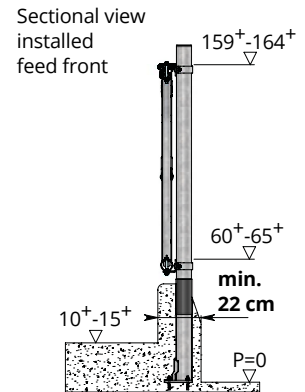
\* Pay attention to the opening for the feed front lock!



model 24.72



model 24.70 \*\*



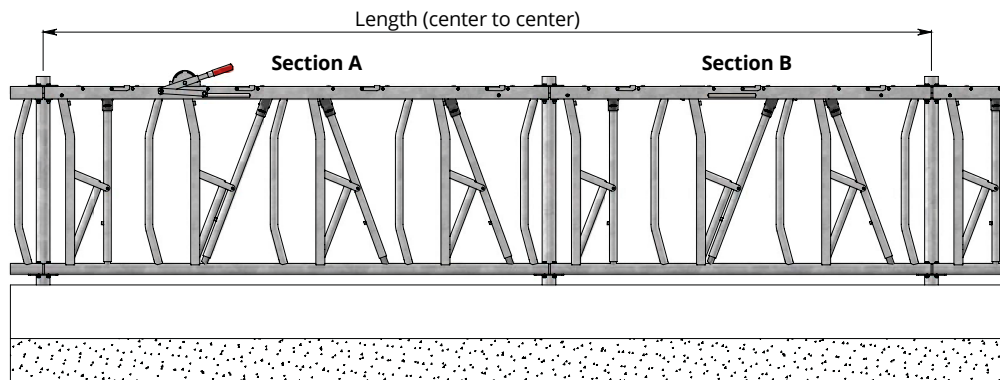
Heavy constructed self-locking safety feed front with the hidden locking mechanism totally integrated in the top railing.

item no.	item no.	Length (center to center)	Fp width
24.72.860	24.70.860	500 cm* (8 feed openings)	approx. 60 cm
24.72.760	24.70.760	439 cm* (7 feed openings)	approx. 60 cm
24.72.500	24.70.500	<b>325 cm (5 feed openings)</b>	<b>approx. 65 cm</b>
24.72.440	24.70.440	300 cm (4 feed openings)	approx. 75 cm
24.72.420	24.70.420	283 cm (4 feed openings)	approx. 70 cm
24.72.400	24.70.400	<b>262 cm (4 feed openings)</b>	<b>approx. 65 cm</b>
24.72.340	24.70.340	225 cm (3 feed openings)	approx. 75 cm
24.72.320	24.70.320	214 cm (3 feed openings)	approx. 70 cm
24.72.300	24.70.300	<b>199 cm (3 feed openings)</b>	<b>approx. 65 cm</b>
24.72.240	24.70.240	150 cm (2 feed openings)	approx. 75 cm
24.72.200	24.70.200	<b>136 cm (2 feed openings)</b>	<b>approx. 65 cm</b>

\* An extra support post needs to be placed per element.  
Assembly drawing on application.

item no.	Fittings
10.25.200	Support post 76 mm x 200 cm
11.02.250	Plastic protective sleeve 76 mm
10.26.170	Floor-mounted support post 76 mm x 170 cm (see page 35)
11.06.250	Stopper 76 mm
02.91.100	Set of feed front fasteners 76 mm
22.92.500	Operating handle
02.90.880	Hinge assembly for gate (see page 33)
02.90.975	Castor wheel (for gates longer than 2 m)

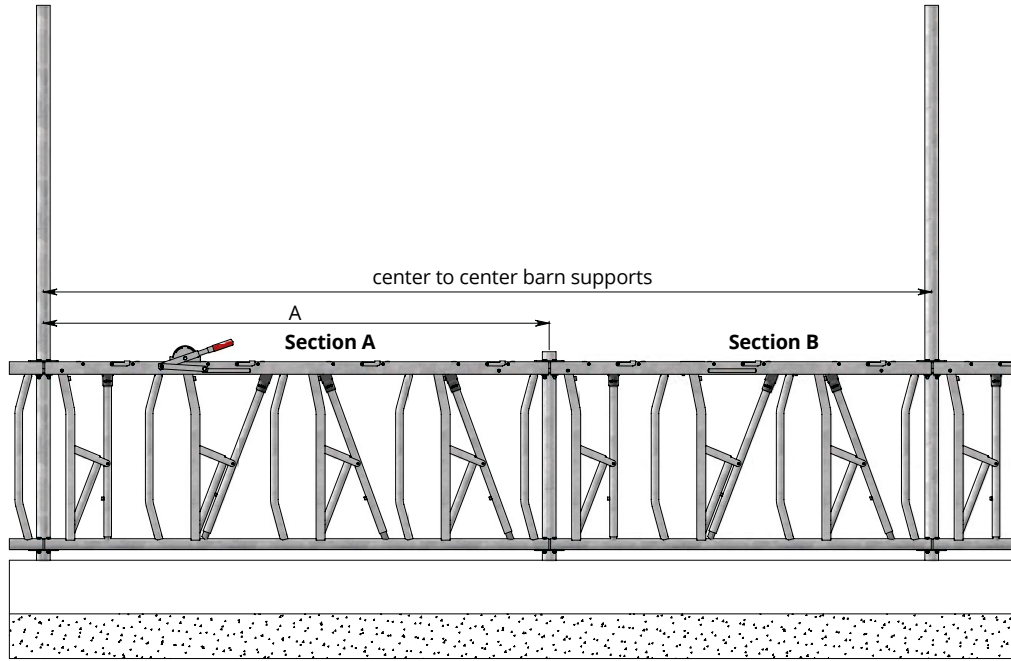
\*\* Model 24.70 is not a stock item. Produced to order.



Almost all clearances of over 3.25 meters between posts, can be filled with a combination of the above mentioned standard feed fronts. The following table shows solutions for some frequent situations. The combination of a standard feed front and the correct feed front fastener (see page 34) leads almost always to a solution for clearances up to 3.25 mtr.

Length (center to center)	Section A	Section B	Feed front fasteners
600 cm (9 feed openings)	(325 cm) 24.72.500	(262 cm) 24.72.400	02.91.200 (5-10 cm) *
500 cm (8 feed openings)	(500 cm) 24.72.860	-	02.91.100 (0 - 5 cm)
500 cm (7 feed openings)	(283 cm) 24.72.420	(214 cm) 24.72.320	02.91.100 (0 - 5 cm)
475 cm (7 feed openings)	(262 cm) 24.72.400	(199 cm) 24.72.300	02.91.200 (5-10 cm) *
450 cm (7 feed openings)	(439 cm) 24.72.760	-	02.91.200 (5-10 cm) *
450 cm (6 feed openings)	(225 cm) 24.72.340	(225 cm) 24.72.340	02.91.100 (0 - 5 cm)
440 cm (7 feed openings)	(439 cm) 24.72.760	-	02.91.100 (0 - 5 cm)

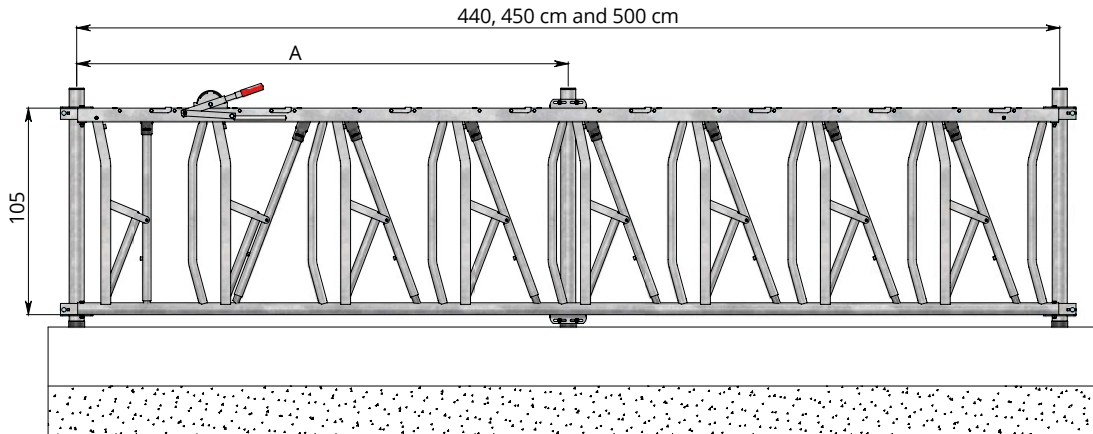
\* For feed front fasteners of 5-10 cm and 10-20 cm, longer connecting strips need to be ordered (see page 34).



Serie 24.72 and 24.70 safety feed front for cows.

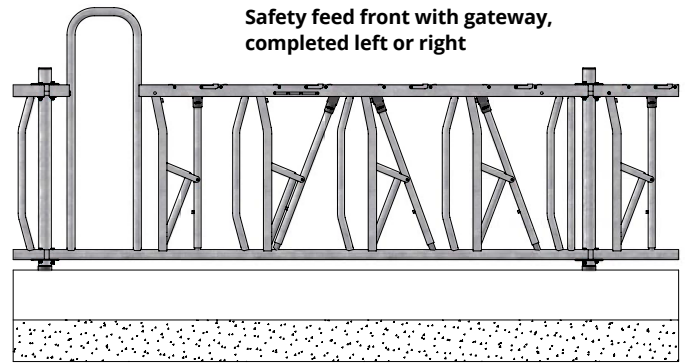
Center to center barn support	Section A	Section B	Feed front fasteners	Length A
600 cm (9 feed openings)	24.72/70.500 (325 cm)	24.72/70.400 (262 cm)	02.91.200 (5-10 cm) *	A = Section A + 6,5 cm
500 cm (8 feed openings)	24.72/70.860 (500 cm)	-	02.91.100 (0 - 5 cm)	A = 250
500 cm (7 feed openings)	24.72/70.420 (283 cm)	24.72/70.320 (214 cm)	02.91.100 (0 - 5 cm)	A = Section A + 2 cm
475 cm (7 feed openings)	24.72/70.400 (262 cm)	24.72/70.300 (199 cm)	02.91.200 (5-10 cm) *	A = Section A + 7 cm
450 cm (7 feed openings)	24.72/70.760 (439 cm)	-	02.91.100 (5-10 cm) *	A = 255
450 cm (6 feed openings)	24.72/70.340 (225 cm)	24.72/70.340 (225 cm)	02.91.100 (0 - 5 cm)	A = Section A + 0 cm
440 cm (7 feed openings)	24.72/70.760 (439 cm)	-	02.91.100 (0 - 5 cm)	A = 250

\* For feed front fasteners of 5-10 cm and 10-20 cm, longer connecting strips need to be ordered (see page 34).



Procedure to define a feed front (a special version) at places where a standard feed front does not fit.

- yes or no a gateway integrated in the feed front?
- If yes, specify when ordering the position left or right.
- Is the feeding place width determinative, you will find the number of head openings in the table for the required feed front length. (Example: without gateway, fpw is 70 cm, required feed front length = 340 cm → table at the left side → a feed front with 4 head openings).
- Is the starting point a maximal number of head openings, you will find in the table the number of head openings for the required feed front length. (Example: with gateway, required feed front length = 340 cm → table at the right side → feed front with 4 head openings, feeding place width 70 cm).



**without gateway**

24.70 / 24.72 safety feed front				
f.o.	fp. width 60 Minimum length	fp. width 65 Minimum length	fp. width 70 Minimum length	fp. width 75 Minimum length
1	73	73	73	73
2	134	136	143	148
3	195	199	213	223
4	256	262	283	298
5	317	325	353	373
6	378	388	423	448
7	439	451	493	523
8	500	514	563	598
9	561	577		



**with gateway**

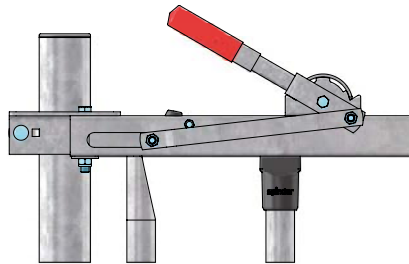
24.70 / 24.72 safety feed front				
f.o.	fp. width 60 Minimum length	fp. width 65 Minimum length	fp. width 70 Minimum length	fp. width 75 Minimum length
1	127	127	127	127
2	188	190	197	202
3	249	253	267	277
4	310	316	337	352
5	371	379	407	427
6	432	442	477	502
7	493	505	547	577
8	554	568		



- Heavy duty self-locking feed front for large stock Limo (see page 25).



- Individually unlocking via pushbutton control.



- A self-locking feed front with a length of up to 30 m can be operated with one handle.

- Self-locking feed front for large stock (see page 26).



### Self-locking feed front, model Limo

The self-locking feed front for large stock Limo is the top model of the self-locking feed barrier range. In line with our safety feed fronts for large stock, the Limo model also has a spacious 40 cm head opening. This ensures gentle movements and a peaceful atmosphere inside the barn.

The overall height of the new barrier is 104 cm.

#### Major characteristics:

- Spacious head opening of 40 cm;
- Extra heavy model with a 60 mm lower bar and all vertical bars 42 mm;
- Overall height 104 cm;

### Self-locking feed front

The self-locking feed front has a hidden locking system totally integrated in the top rail. By incorporating high quality synthetic parts into the locking mechanism, the system works effortlessly and very quiet. When the recommended measurements for installation are followed, the self-locking feature performs as required. Whereas the locking mechanism is hidden, the locked-in animals cannot free themselves not needed.

#### Major characteristics:

- Good catching performance on account of the smooth operation of the locking mechanism;
- In locked position stock can be released individually. Unlocking the cows individually is a safe and easy process using the pushbutton control at each feeding place, without the risk of your fingers getting jammed;
- The moving vertical bars are, on the top, provided with a high-grade PVC cover and a stop, preventing excessive noise;
- The animals cannot unlock themselves, because the locking mechanism is totally integrated in the top railing;
- The locking mechanism cannot be deranged by moisture or dirt;
- The moving bars are constructed in such a way that the collars of the animals can not be caught;
- Overall height 95 cm;
- Ear tag friendly;

### Dimensions

The self-locking feed front is available for all age groups, from large stock to calves.

Model 24.66: heavy duty self-locking feed front for large stock Limo

Model 24.61: self-locking feed front for large stock

Model 24.62: self-locking feed front for heifers

Model 24.63: self-locking feed front for heifers with adjustable neck width

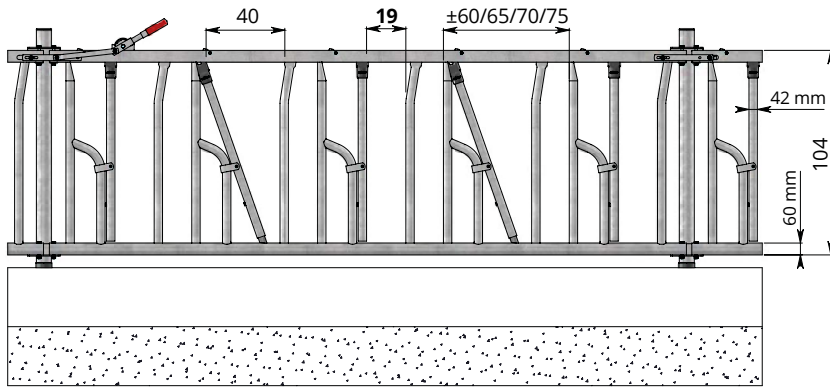
Model 24.64: self-locking feed front for young heifers with adjustable neck width

Model 24.65: self-locking feed front for calves with adjustable neck width

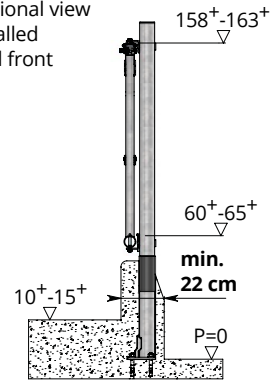
The standard length of a feed front section is 325 cm. Fitting pieces are available in various lengths, depending on the number of feeding places.

### Mounting

The self-locking feed front is mounted to 76 mm support posts with our universal fasteners. This way it is possible to extend a feed front section by 5 cm. If this proves insufficient, longer feed front fasteners are available (see page 34). By mounting a hinge assembly a front section of up to 325 cm can be turned into a gate. The locking mechanism of a gate is operated separately.



Sectional view installed feed front

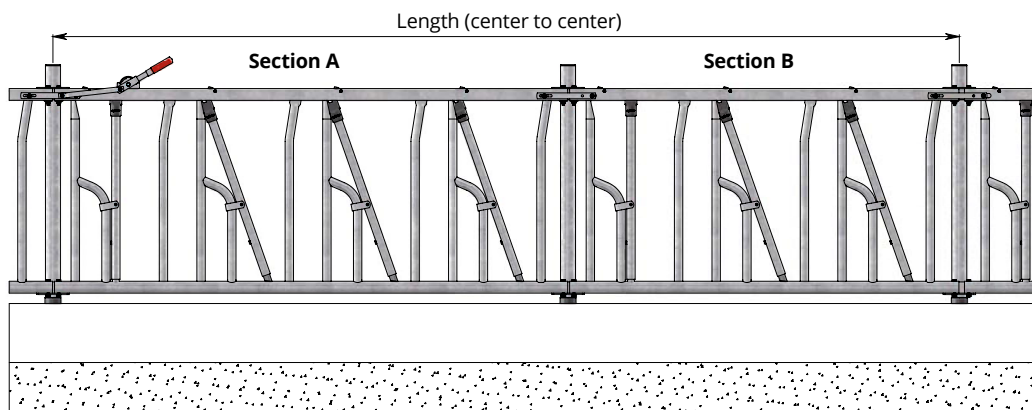


Heavy constructed self-locking safety feed front with the hidden locking mechanism totally integrated in the top railing.

item no.	Length (center to center)	Feeding place width
24.66.860	500 cm* (8 feed openings)	approx. 60 cm
24.66.780	480 cm* (7 feed openings)	approx. 68,5 cm
24.66.760	439 cm* (7 feed openings)	approx. 60 cm
24.66.500	<b>325 cm (5 feed openings)</b>	<b>approx. 65 cm</b>
24.66.440	300 cm (4 feed openings)	approx. 75 cm
24.66.420	283 cm (4 feed openings)	approx. 70 cm
24.66.400	<b>262 cm (4 feed openings)</b>	<b>approx. 65 cm</b>
24.66.340	225 cm (3 feed openings)	approx. 75 cm
24.66.320	214 cm (3 feed openings)	approx. 70 cm
24.66.300	<b>199 cm (3 feed openings)</b>	<b>approx. 65 cm</b>
24.66.240	150 cm (2 feed openings)	approx. 75 cm
24.66.200	<b>136 cm (2 feed openings)</b>	<b>approx. 65 cm</b>

\* An extra support post needs to be placed per element.  
Assembly drawing on application.

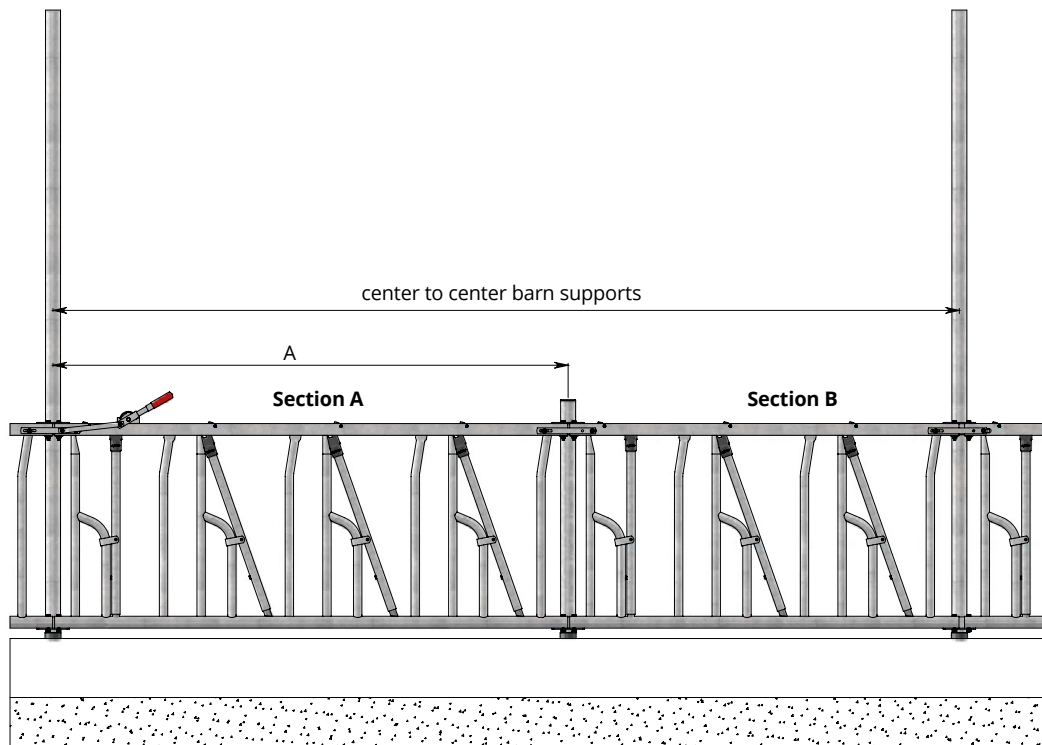
item no.	Fittings
10.25.200	Support post 76 mm x 200 cm
11.02.250	Plastic protective sleeve 76 mm
10.26.170	Floor-mounted support post 76 mm x 170 cm (see page 35)
11.06.250	Stopper 76 mm
02.91.100	Set of feed front fasteners 76 mm
22.92.680	Operating handle
02.90.585	Hinge assembly for gate (see page 33)
02.90.960	Castor wheel (for gates longer than 2 m)



Almost all clearances of over 3.25 meters between posts, can be filled with a combination of the above mentioned standard feed fronts. The following table shows solutions for some frequent situations. The combination of a standard feed front and the correct feed front fastener (see page 34) leads almost always to a solution for clearances up to 3.25 mtr.

Length (center to center)	Section A	Section B	Feed front fasteners
600 cm (9 feed openings)	(325 cm) 24.66.500	(262 cm) 24.66.400	02.91.200 (5-10 cm) *
500 cm (8 feed openings)	(500 cm) 24.66.860	-	02.91.100 (0 - 5 cm)
500 cm (7 feed openings)	(283 cm) 24.66.420	(214 cm) 24.66.320	02.91.100 (0 - 5 cm)
480 cm (7 feed openings)	(480 cm) 24.66.780	-	02.91.100 (0 - 5 cm)
475 cm (7 feed openings)	(262 cm) 24.66.400	(199 cm) 24.66.300	02.91.200 (5-10 cm) *
450 cm (7 feed openings)	(439 cm) 24.66.760	-	02.91.200 (5-10 cm) *
450 cm (6 feed openings)	(225 cm) 24.66.340	(225 cm) 24.66.340	02.91.100 (0 - 5 cm)
440 cm (7 feed openings)	(439 cm) 24.66.760	-	02.91.100 (0 - 5 cm)

\* For feed front fasteners of 5-10 cm and 10-20 cm, longer connecting strips need to be ordered (see page 34).



**Serie 24.66 self-locking feed front model Limo.**

Center to center barn support	Section A	Section B	Feed front fasteners	Length A
600 cm (9 feed openings)	24.66.500 (325 cm)	24.66.400 (262 cm)	02.91.200 (5-10 cm) *	A = Section A + 6,5 cm
500 cm (8 feed openings)	24.66.860 (500 cm)	-	02.91.100 (0 - 5 cm)	A = 250 cm
500 cm (7 feed openings)	24.66.420 (283 cm)	24.66.320 (214 cm)	02.91.100 (0 - 5 cm)	A = Section A + 1,5 cm
480 cm (7 feed openings)	24.66.780 (480 cm)	-	02.91.100 (0 - 5 cm)	A = 208 cm
475 cm (7 feed openings)	24.66.400 (262 cm)	24.66.300 (199 cm)	02.91.200 (5-10 cm) *	A = Section A + 7 cm
450 cm (7 feed openings)	24.66.760 (439 cm)	-	02.91.200 (5-10 cm) *	A = 257 cm
450 cm (6 feed openings)	24.66.340 (225 cm)	24.66.340 (225 cm)	02.91.100 (0 - 5 cm)	A = Section A + 0 cm
440 cm (7 feed openings)	24.66.760 (439 cm)	-	02.91.100 (0 - 5 cm)	A = 250 cm

**Serie 24.61 self-locking feed front for cows.**

Center to center barn support	Section A	Section B	Feed front fasteners	Length A
600 cm (9 feed openings)	24.61.500 (325 cm)	24.61.400 (262 cm)	02.91.200 (5-10 cm) *	A = Section A + 6.5 cm
500 cm (8 feed openings)	24.61.360 (248 cm)	24.61.360 (248 cm)	02.91.100 (0 - 5 cm)	A = Section A + 2 cm
500 cm (7 feed openings)	24.61.420 (282 cm)	24.61.320 (214 cm)	02.91.100 (0 - 5 cm)	A = Section A + 2 cm
475 cm (7 feed openings)	24.61.400 (262 cm)	24.61.300 (198 cm)	02.91.200 (5-10 cm) *	A = Section A + 7.5 cm
450 cm (7 feed openings)	24.61.360 (248 cm)	24.61.300 (198 cm)	02.91.100 (0 - 5 cm)	A = Section A + 2 cm
450 cm (6 feed openings)	24.61.340 (225 cm)	24.61.340 (225 cm)	02.91.100 (0 - 5 cm)	A = Section A + 0 cm
440 cm (7 feed openings)	24.61.360 (248 cm)	24.61.260 (184 cm)	02.91.100 (0 - 5 cm)	A = Section A + 4 cm

**Serie 24.62/24.63 self-locking feed front for heifers.**

Center to center barn support	Section A	Section B	Feed front fasteners	Length A
450 cm (8 feed openings)	24.62/63.300 (219 cm)	24.62/63.300 (219 cm)	02.91.200 (5-10 cm) *	A = Section A + 6 cm
440 cm (8 feed openings)	24.62/63.300 (219 cm)	24.62/63.300 (219 cm)	02.91.100 (0 - 5 cm)	A = Section A + 1 cm

**Serie 24.64 self-locking feed front for young heifers.**

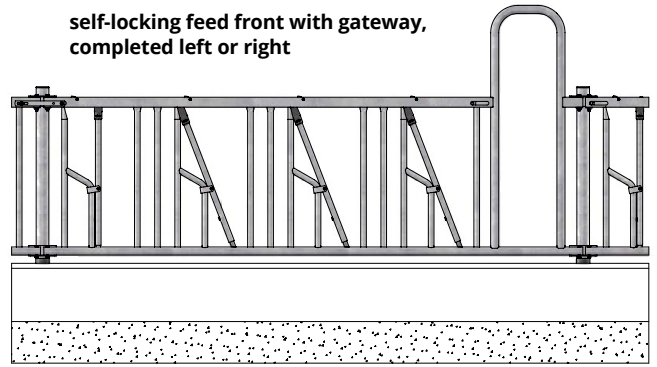
Center to center barn support	Section A	Section B	Feed front fasteners	Length A
450 cm (9 feed openings)	24.64.360 (239 cm)	24.64.300 (196 cm)	02.91.200 (5-10 cm) *	A = Section A + 7.5 cm
440 cm (9 feed openings)	24.64.360 (239 cm)	24.64.300 (196 cm)	02.91.100 (0 - 5 cm)	A = Section A + 2.5 cm

\* For feed front fasteners of 5-10 cm and 10-20 cm, longer connecting strips need to be ordered. (See page 34)



Procedure to define a feed front (a special version) at places where a standard feed front does not fit.

- yes or no a gateway integrated in the feed front?
- If yes, specify when ordering the position left or right.
- Is the feeding place width determinative, you will find the number of head openings in the table for the required feed front length.  
(Example: 24.61 without gateway, fpw is 70 cm, required feed front length = 340 cm → table at the left side → a feed front with 5 head openings).
- Is the starting point a maximal number of head openings, you will find in de table the number of head openings for the required feed front length.  
(Example 1: 24.61 with gateway, required feed front length = 340 cm → table at the right side → feed front with 4 head openings, feeding place width 75 cm).  
(Example 2: 24.64, required feed front length = 340 cm → table at the left side → a feed front with 7 head openings).



**without gateway**

24.61 self locking feed front			
f.o.	fp. width 65 Minimum length	fp. width 70 Minimum length	fp. width 75 Minimum length
1	56	56	56
2	120	124	131
3	184	192	206
4	248	260	281
5	312	328	356
6	376	396	431
7	440	464	506
8	504	532	581
9	568		

24.62 / 24.63 self locking fp. width 55	
f.o.	Minimum length
1	64
2	115,5
3	167
4	218,5
5	270
6	321,5
7	373
8	424,5
9	476
10	527,5

**with gateway**

24.61 self locking feed front			
f.o.	fp. width 65 Minimum length	fp. width 70 Minimum length	fp. width 75 Minimum length
1	110	110	110
2	174	178	185
3	238	246	260
4	302	314	335
5	366	382	410
6	430	450	485
7	494	518	560
8	558		

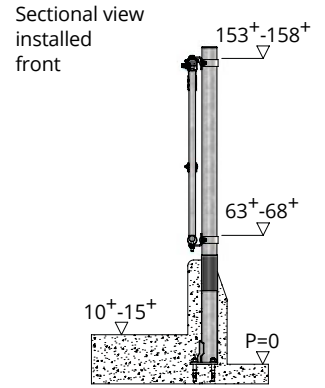
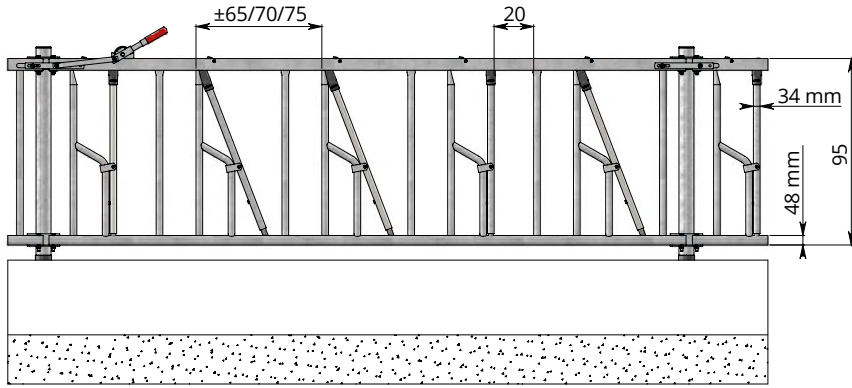
24.62 / 24.63 self locking fp. width 55	
f.o.	Minimum length
1	118
2	170
3	221
4	273
5	324
6	376
7	427
8	479
9	530

24.66 self locking feed front					
f.o.	fp. width 60 Minimum length	fp. width 65 Minimum length	fp. width 68,5 Minimum length	fp. width 70 Minimum length	fp. width 75 Minimum length
1	64	64	64	64	64
2	125	128	133	134	139
3	186	192	201	204	214
4	247	256	270	274	289
5	308	320	338	344	364
6	369	384	407	414	439
7	430	448	475	484	514
8	491	512	544	554	589
9	552	576			

24.66 self locking feed front					
f.o.	fp. width 60 Minimum length	fp. width 65 Minimum length	fp. width 68,5 Minimum length	fp. width 70 Minimum length	fp. width 75 Minimum length
1	118	118	118	118	118
2	179	182	187	188	193
3	240	246	255	258	268
4	301	310	324	328	343
5	362	374	392	398	418
6	423	438	461	468	493
7	484	502	529	538	568
8	545	566	598		

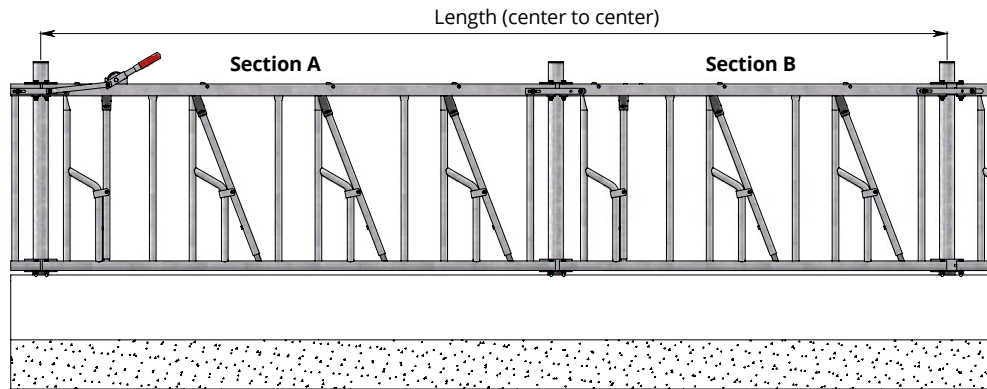
24.64 self locking fp. width 45	
f.o.	Minimum length
1	57
2	100
3	143
4	186
5	229
6	272
7	315
8	358
9	401
10	444
11	487
12	530

24.65 self locking fp. width 35	
f.o.	Minimum length
1	51
2	85
3	119
4	153
5	187
6	221
7	255
8	289
9	323
10	357
11	391
12	425
13	459
14	493



item no.	Length (center to center)	Feeding place width
24.61.500	325 cm (5 feed openings)	approx. 65 cm
24.61.440	300 cm (4 feed openings)	approx. 75 cm
24.61.420	282 cm (4 feed openings)	approx. 70 cm
24.61.400	262 cm (4 feed openings)	approx. 65 cm
24.61.360	248 cm (4 feed openings)	approx. 65 cm
24.61.340	225 cm (3 feed openings)	approx. 75 cm
24.61.320	214 cm (3 vreetplaatsen)	approx. 70 cm
24.61.300	198 cm (3 feed openings)	approx. 65 cm
24.61.260	184 cm (3 feed openings)	approx. 65 cm
24.61.240	150 cm (2 feed openings)	approx. 75 cm
24.61.200	134 cm (2 feed openings)	approx. 65 cm

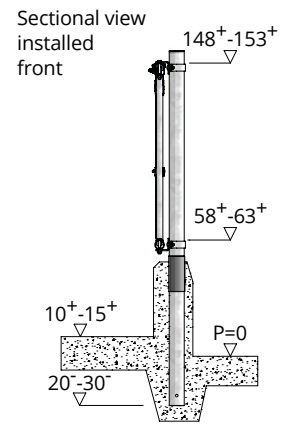
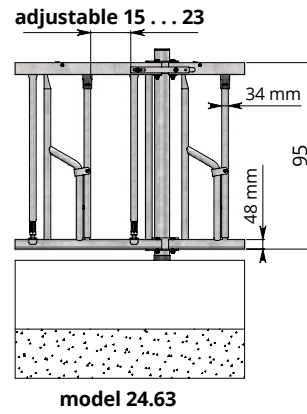
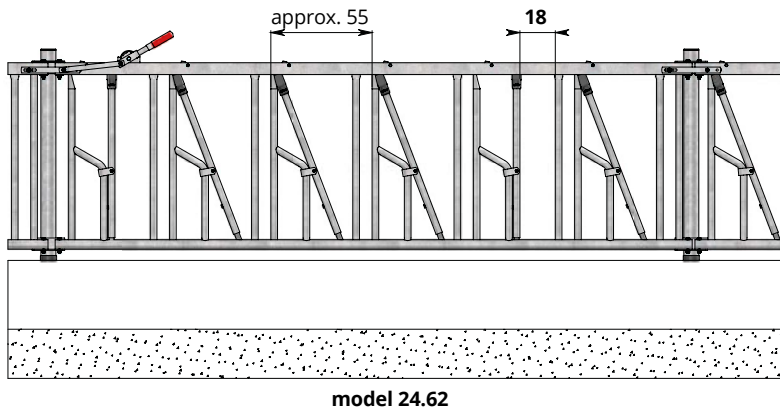
item no.	Fittings
10.25.180	Support post 76 mm x 180 cm
11.02.250	Plastic protective sleeve 76 mm
10.26.160	Floor-mounted support post 76 mm x 160 cm (see page 35)
11.06.250	Stopper 76 mm
02.91.100	Set of feed front fasteners 76 mm
22.92.680	Operating handle
02.90.285	Hinge assembly for gate (see page 33)
02.90.950	Castor wheel (for gates longer than 2 m)



Almost all clearances of over 3.25 meters between posts, can be filled with a combination of the above mentioned standard feed fronts. The following table shows solutions for some frequent situations. The combination of a standard feed front and the correct feed front fastener (see page 34) leads almost always to a solution for clearances up to 3.25 mtr.

Length (center to center)	Section A	Section B	Feed front fasteners
600 cm (9 feed openings)	(325 cm) 24.61.500	(262 cm) 24.61.400	02.91.200 (5-10 cm) *
500 cm (8 feed openings)	(248 cm) 24.61.360	(248 cm) 24.61.360	02.91.100 (0 - 5 cm)
500 cm (7 feed openings)	(282 cm) 24.61.420	(214 cm) 24.61.320	02.91.100 (0 - 5 cm)
475 cm (7 feed openings)	(262 cm) 24.61.400	(198 cm) 24.61.300	02.91.200 (5-10 cm) *
450 cm (7 feed openings)	(248 cm) 24.61.360	(198 cm) 24.61.300	02.91.100 (0 - 5 cm)
450 cm (6 feed openings)	(225 cm) 24.61.340	(225 cm) 24.61.340	02.91.100 (0 - 5 cm)
440 cm (7 feed openings)	(248 cm) 24.61.360	(184 cm) 24.61.260	02.91.100 (0 - 5 cm)

\* For feed front fasteners of 5-10 cm and 10-20 cm, longer connecting strips need to be ordered (see page 34).



The feeding place width is 55 cm per heifer; ages from approx. 10 to 18 months.  
For heifers from 18 months we recommend the self-locking feed front for cows (see page 26).

item no.	item no.	Length (center to center)
24.62.500	24.63.500	325 cm (6 feed openings)
24.62.400	24.63.400	274 cm (5 feed openings)
24.62.300	24.63.300	219 cm (4 feed openings)
24.62.200	24.63.200	171 cm (3 feed openings)
24.62.100	24.63.100	119 cm (2 feed openings)

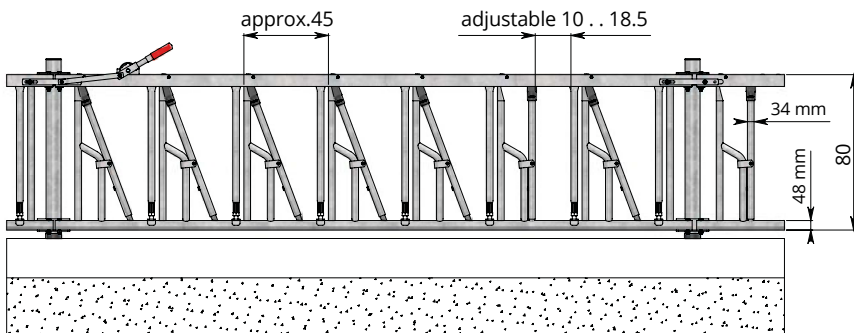
  

Length (center to center)	Feed front fasteners
450 cm (8 feed openings)	24.62.300 + 24.62.300 02.91.200 (5-10 cm) *
440 cm (8 feed openings)	24.62.300 + 24.62.300 02.91.100 (0 - 5 cm)

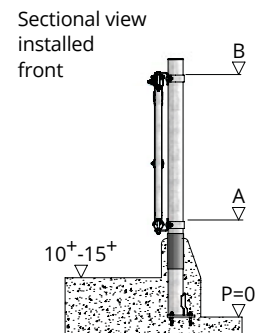
item no.	Fittings
10.25.180	Support post 76 mm x 180 cm
11.02.250	Plastic protective sleeve 76 mm
10.26.160	Floor-mounted support post 76 mm x 160 cm (see page 35)
11.06.250	Stopper 76 mm
02.91.100	Set of feed front fasteners 76 mm
22.92.680	Operating handle
02.90.285	Hinge assembly for gate (see page 33)
02.90.950	Castor wheel (for gates longer than 2 m)

\* For feed front fasteners of 5-10 cm and 10-20 cm, longer connecting strips need to be ordered (see page 34).

## spinder self-locking feed front for young heifers



Age	Size A	Size B
up to 6 months	43+-48+	118+-123+
6-10 months	48+-53+	123+-128+



The feeding place width is 45 cm per animal; ages from approx. 3 to 10 months. Neck width adjustable from 10 to 18.5 cm.

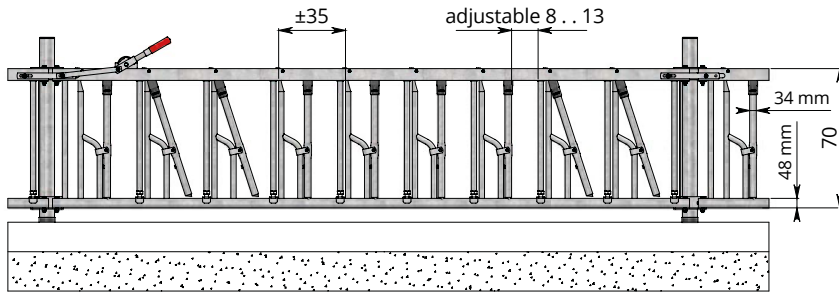
item no.	Length (center to center)
24.64.500	325 cm (7 feed openings)
24.64.400	282 cm (6 feed openings)
24.64.360	239 cm (5 feed openings)
24.64.300	196 cm (4 feed openings)
24.64.260	153 cm (3 feed openings)
24.64.200	110 cm (2 feed openings)

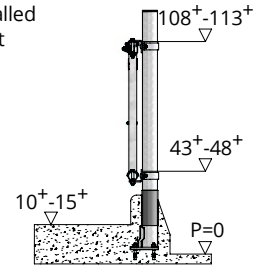
Length (center to center)	Feed front fasteners
450 cm (9 feed openings)	24.64.360 + 24.64.300 02.91.200 (5-10 cm) *
440 cm (9 feed openings)	24.64.360 + 24.64.300 02.91.100 (0 - 5 cm)

item no.	Fittings
10.25.160	Support post 76 mm x 160 cm
11.02.250	Plastic protective sleeve 76 mm
10.26.130	Floor-mounted support post 76 mm x 130 cm (see page 35)
11.06.250	Stopper 76 mm
02.91.100	Set of feed front fasteners 76 mm
22.92.680	Operating handle
02.90.285	Hinge assembly for gate (see page 33)
02.90.950	Castor wheel (for gates longer than 2 m)

\* For feed front fasteners of 5-10 cm and 10-20 cm, longer connecting strips need to be ordered (see page 34).



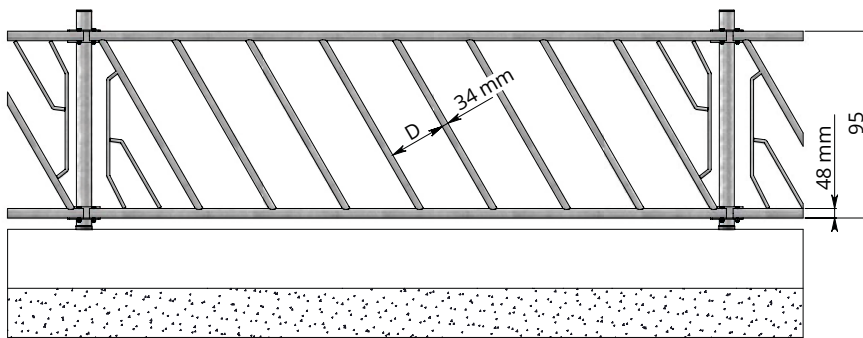
Sectional view installed front



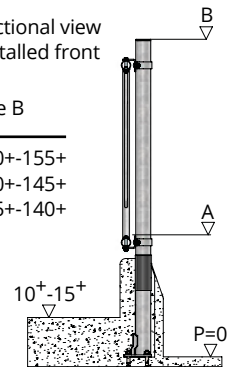
The feeding place width is 35 cm per calf; aged up to approx. 3 months. Neck width adjustable from 8 to 13 cm.

item no.	Length (center to center)
24.65.500	325 cm (9 feed openings)
24.65.400	289 cm (8 feed openings)
24.65.360	256 cm (7 feed openings)
24.65.300	222 cm (6 feed openings)
24.65.200	188 cm (5 feed openings)
24.65.100	120 cm (3 feed openings)

item no.	Fittings
10.25.160	Support post 76 mm x 160 cm
11.02.250	Plastic protective sleeve 76 mm
10.26.120	Floor-mounted support post 76 mm x 120 cm (see page 35)
11.06.250	Stopper 76 mm
02.91.100	Set of feed front fasteners 76 mm
22.92.680	Operating handle
02.90.285	Hinge assembly for gate (see page 33)
02.90.950	Castor wheel (for gates longer than 2 m)



Sectional view installed front



Age	Size A	Size B
Cows	60+65+	150+155+
Young stock (10-15 months)	50+55+	140+145+
Young stock (3-10 months)	45+50+	135+140+

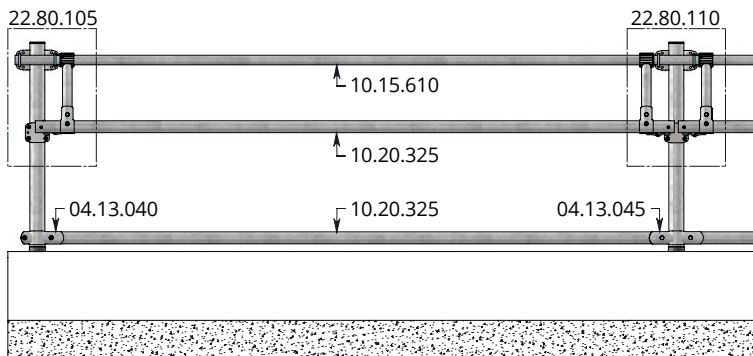
Diagonal feed front for cows and young stock

item no.	Cows, D=29 cm, H=95 cm, Length (center to center)
22.11.500	325 cm (7 feed openings)
22.11.400	295 cm (6 feed openings)
22.11.300	212 cm (4 feed openings)
22.11.200	145 cm (2 feed openings)
item no.	Young stock 3-15 months, D=24 cm, H=95 cm, Length (c.t.c.)
22.13.500	325 cm (8 feed openings)
22.13.400	290 cm (7 feed openings)
22.13.300	220 cm (5 feed openings)
22.13.200	160 cm (3 feed openings)

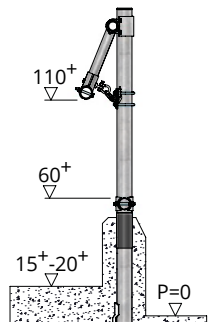
item no.	Fittings
10.25.180	Support post 76 mm x 180 cm
11.02.250	Plastic protective sleeve 76 mm
10.26.160	Floor-mounted support post 76 mm x 160 cm (see page 35)
11.06.250	Stopper 76 mm
02.91.100	Set of feed front fasteners 76 mm
02.90.180	Hinge assembly for gate (see page 33)
02.90.950	Castor wheel (for gates longer than 2 m)

High-tech invades the dairy operation more and more. However a large number of dairy farmers prefer to feed their animals roughage by using a very simple feed front: one or more horizontal tubes. Depending on the size of the operation and the preferred management approach, this method of feeding gives at times advantages in some aspects. For example the freedom of movement for the animals, and the ease of stepping through the feed front for the farmer are considered advantageous.

Spinder offers two systems of tubing feed fronts: fixed or hinged. The tubing is mounted on support post or to the building supports. Our advice is to install support posts every 325cm, in the event one wants to install self-locking feed fronts in the future. For a 325cm span, 60mm tubing is sufficient for dairy cows. The tubes are reduced in diameter on one side to make coupling simple and no coupling parts are needed.



Doorsnede plaatsing



### Tubing feed front, hinged

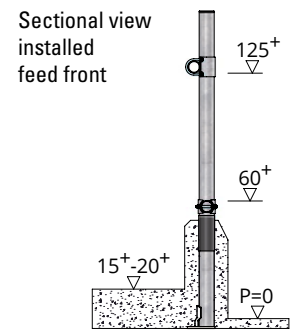
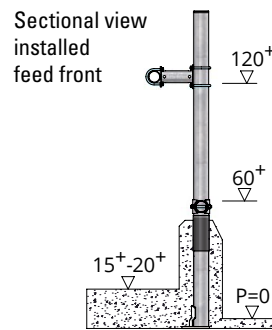
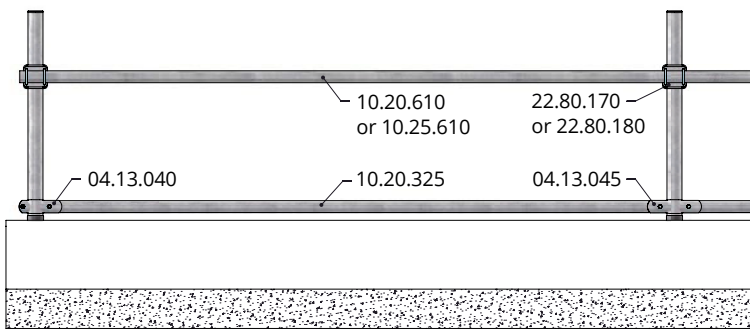
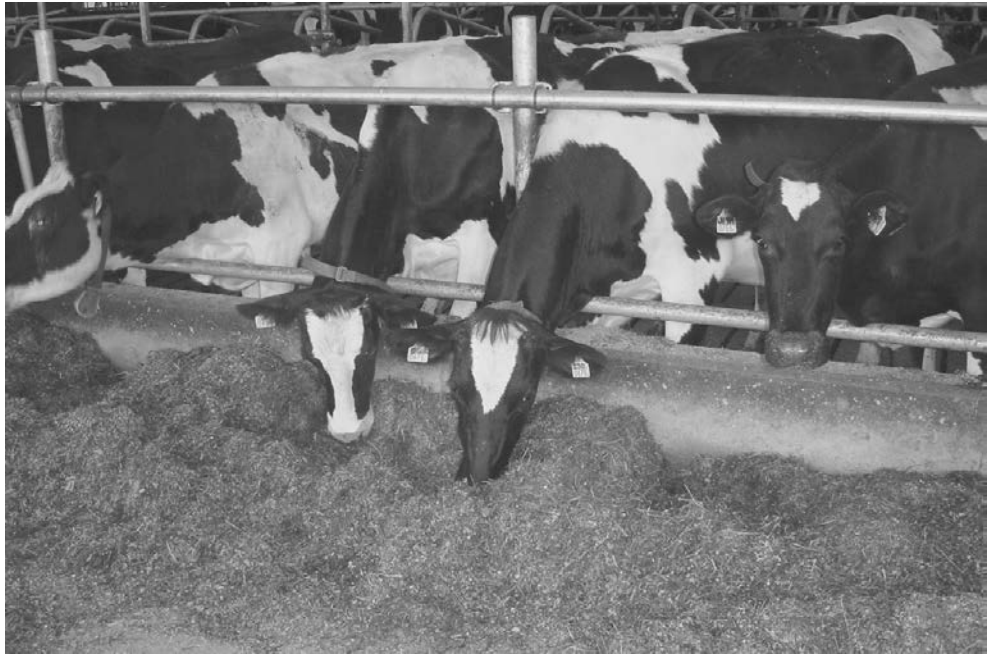
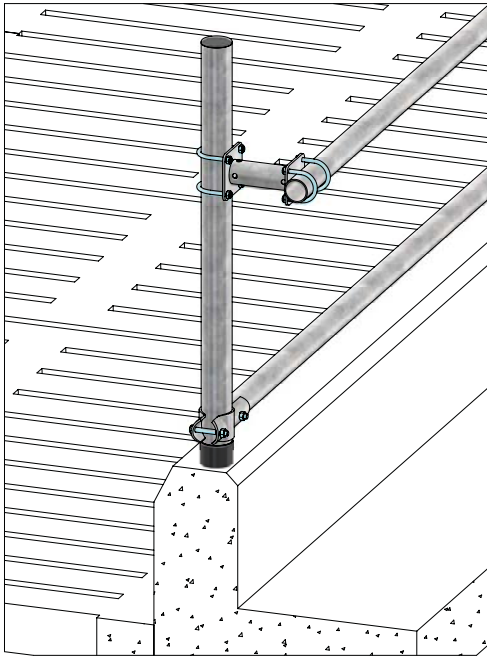
By this system the top tubing is connected hinged to a 48mm tube. The bottom tube (optional) is fixed. The cows are restrained by the hinged tube of which the swing is controlled by a chain.

#### Features:

- Small or large animals; always enough feeding space;
- The hinged tube avoids that the cows throw the forage up in the air: less wasted feed on the isles;
- The lunging range of the animals is increased: one has to sweep back the feed less frequently;
- No pressure neck injuries;
- The pivot arm is constructed with a nylon slide bearing and comes down on a rubber buffer: this to prevent wear and to make the construction very quiet;

#### item no.

<b>10.15.610</b>	Tube 48 mm x 600 cm galvanized, 1 side reduced
<b>10.20.325</b>	Tube 60 mm x 325 cm galvanized
<b>11.06.200</b>	Stopper 60 mm
<b>11.06.150</b>	Stopper 48 mm
	Mounting set includes pivot arm, chain, stop plate and strap clamp 76 x 48 mm.
<b>22.80.110</b>	Mountingset hinged front tubing (double)
<b>22.80.105</b>	Mountingset hinged front tubing (single)
<b>04.13.045</b>	Four-way clamp 60 x 76 x 60 mm
<b>04.13.040</b>	T-clamp 60 x 76 mm
<b>10.25.200</b>	Support post 76 mm x 200 cm
<b>10.26.180</b>	Floor-mounted support post 76 mm x 180 cm
<b>11.06.250</b>	Stopper 76 mm
<b>11.02.250</b>	Plastic protective sleeve 76 mm



### Fixed tubing

Depending on the situation, the tubing may be mounted in front or in between the support posts. The top tubing can also be mounted out forward by using a spacing component.

When mounting the tubing between the support posts, the tubing has to be shortened. In this event four-way clamps and T-clamps are used.

Note: The heights shown above are just an indication. Adjusting may be needed according to breed, age, alley height or animal grouping.

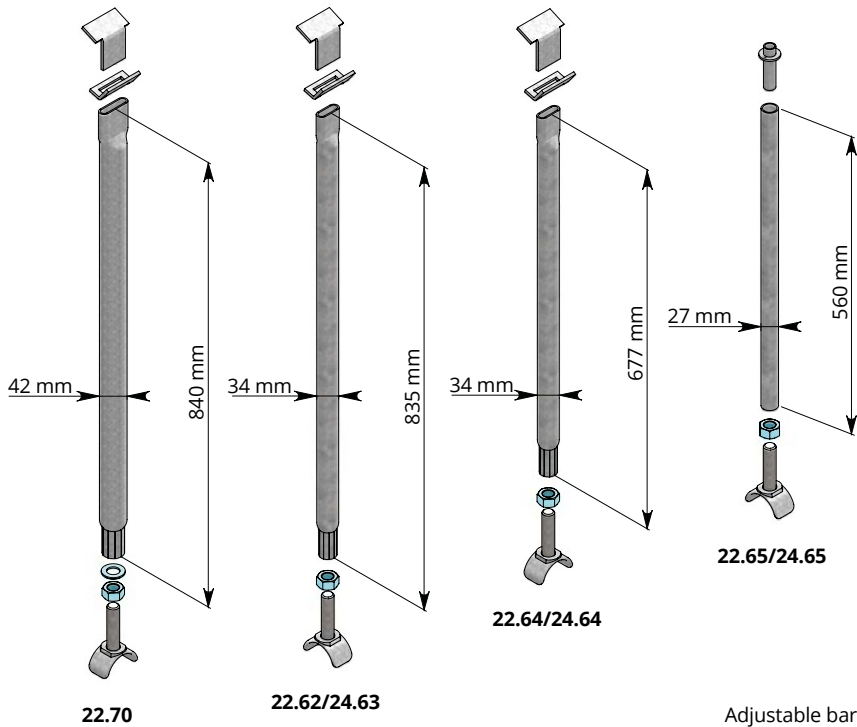
### item no.

**Top tubing with spacing component:**  
**22.80.170** Spacing component 60mm, 17cm, to support post 76mm  
**22.80.180** Spacing component 76mm, 17cm, to support post 76mm

**Mounting between support posts:**  
**10.20.325** Tube 60 mm x 325 cm galvanized  
**04.13.045** Four-way clamp 60 x 76 x 60 mm  
**04.13.040** T-clamp 60 x 76 mm

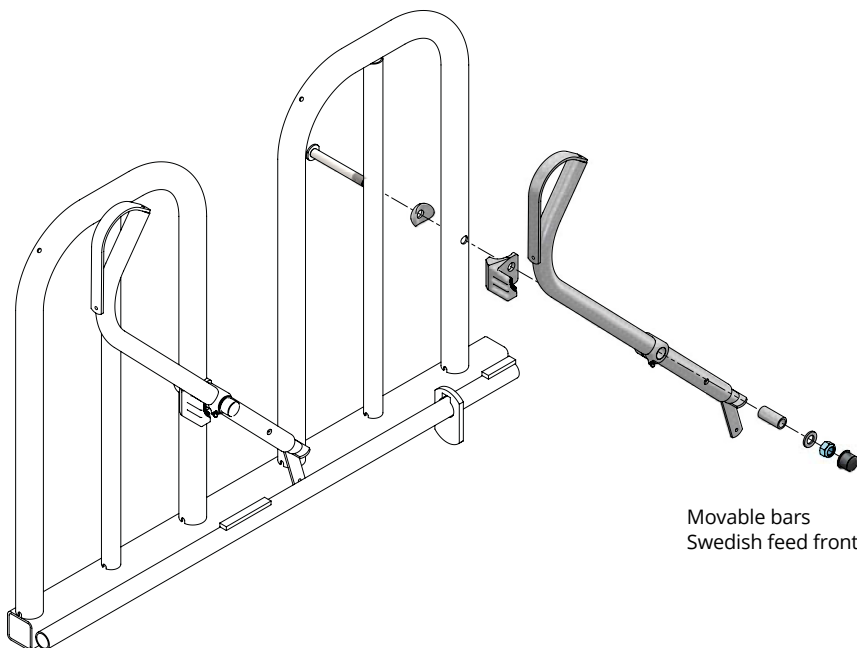
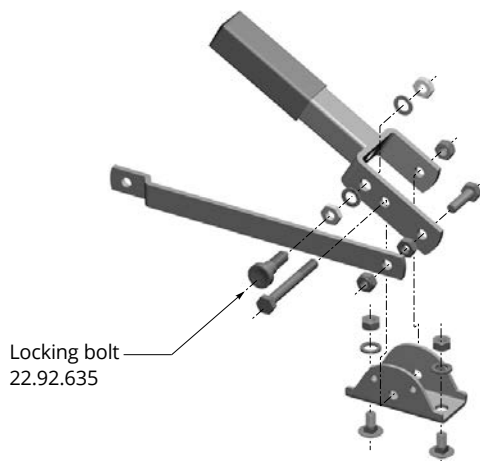
**Mounting in front of the support posts:**  
**10.20.610** Tube 60 mm x 600 cm galvanized, 1 side reduced  
**11.06.200** Stopper 60 mm  
**04.09.040** Strap clamp 76 x 60 mm  
**10.25.610** Tube 76 mm x 600 cm galvanized, 1 side reduced  
**11.06.250** Stopper 76 mm  
**04.22.076** Tube clamp 76 x 76mm

**10.25.180** Support post 76 mm x 180 cm  
**10.26.160** Floor-mounted support post 76 mm x 160 cm  
**11.06.250** Stopper 76 mm  
**11.02.250** Plastic protective sleeve 76 mm



22.65/24.65

Adjustable bar

Movable bars  
Swedish feed frontLocking bolt  
22.92.635

## item-no.

## Adjustable bars

**Safety feedfront for cow 22.70 height 97 cm  
(top bar 70 x 60 mm, lower bar 60 mm)**

22.68.030	Adjustable bar 42 mm
02.28.030	Clamp M20 for adjustable bar
81.20.200	Hexagon nut m20
22.68.060	Mounting part short clamp 42 mm
22.68.061	Mounting part long clamp 42 mm
83.20.100	Washer M20 (20 x 37 x 3) cobalt galv.

**Self-locking feedfront for heifers  
22.62/24.63 height 95 cm****(top bar 60 x 50 mm, lower bar 48 mm)**

22.62.030	Adjustable bar 34 mm heifers
02.24.030	Clamp M20 for adjustable bar
81.20.200	Hexagon nut M20
02.64.060	Mounting part short clamp 34 mm
02.64.061	Mounting part long clamp 34 mm

**Self-locking feedfront for young heifers  
22.64/24.64 height 80 cm****(top bar 60 x 50 mm, lower bar 48 mm)**

22.64.030	Adjustable bar 34 mm young feifers
02.24.030	Clamp M20 for adjustable bar
81.20.200	Hexagon nut M20
02.64.060	Mounting part short clamp 34 mm
02.64.061	Mounting part long clamp 34 mm

**Self-locking feedfront for calves  
22.65/24.65 height 70 cm****(top bar 60 x 50 mm, lower bar 48 mm)**

02.25.020	Adjustable bar 27 mm calves
02.24.030	Clamp M20 for adjustable bar
81.20.200	Hexagon nut M20
02.25.030	Clamping bush for adjustable bar 27 mm

## Movable bars

## Selflocking feed front

22.60.010	Mega	model 22.60 height 112 cm
22.61.010	For cows	model 22.61 height 95 cm
22.66.010	For cows	model 22.66 height 95 cm
22.61.010	For heifers	model 22.62 height 95 cm
22.64.010	For young heifers	model 22.64 height 80 cm
22.65.010	For calves	model 22.65 height 70 cm

## Safety feed front

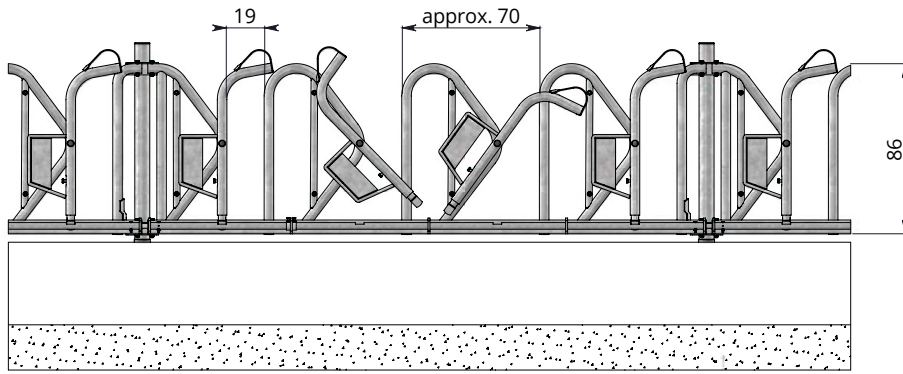
23.71.010	Mega	model 23.71 height 113 cm
22.72.010	For cows	model 22.72 height 97 cm
22.72.010	For cows adj.	model 22.70 height 97 cm

## Swedish feed front

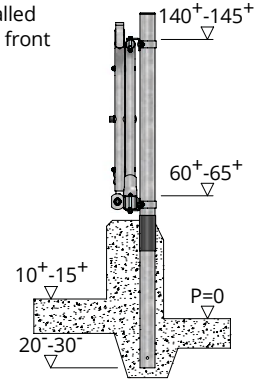
02.34.070	For cows	model 02.31/02.34 height 76 cm
02.32.070	For cows	model 02.32/02.33 height 86 cm
02.34.070	For heifers	model 02.35 height 76 cm
02.32.080	Parts for movable bar Swedish feed front	

**Locking bolt for operating handle,  
for safety and self-locking feedfronts,  
produced from 1999 up to 2013.**

22.92.635	Locking bolt, incl. nuts and toothed rings
-----------	--



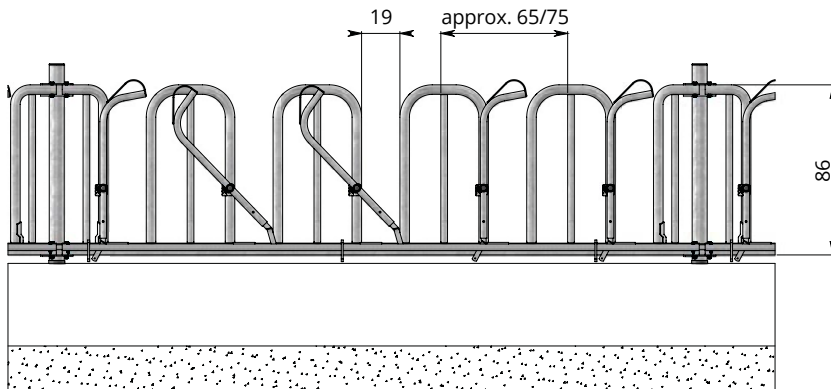
Sectional view installed feed front



item no.	Length (center to center)	Feeding place width
02.30.500	355 cm* (5 feed openings)	approx. 70 cm
02.30.400	285 cm (4 feed openings)	approx. 70 cm
02.30.300	215 cm° (3 feed openings)	approx. 70 cm
02.30.200	145 cm° (2 feed openings)	approx. 70 cm

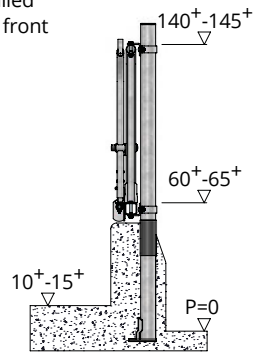
\* An extra support post needs to be placed per element.  
 Assembly drawing on application.  
 ° Can be used as a gate.

item no.	Fittings
10.25.180	Support post 76 mm x 180 cm
11.02.250	Plastic protective sleeve 76 mm
10.26.160	Floor-mounted support post 76 mm x 160 cm (see page 35)
11.06.250	Stopper 76 mm
02.91.100	Set of feed front fasteners 76 mm
02.92.100	Operating handle
02.90.305	Hinge assembly for gate



Age approx. 22 months and up. Neck width 19 cm.

Sectional view installed feed front



• Swedish feed fronts for heifers, young stock and calves are available on application.

item no.	Length (center to center)	Feeding place width
02.32.500	325 cm (5 feed openings)	approx. 65 cm
02.32.400	261 cm (4 feed openings)	approx. 65 cm
02.32.360	250 cm (4 feed openings)	approx. 65 cm
02.32.300	196 cm (3 feed openings)	approx. 65 cm
02.32.260	180 cm (3 feed openings)	approx. 65 cm

item no.	Length (center to center)	Feeding place width
02.33.400	300 cm (4 feed openings)	approx. 75 cm
02.33.320	250 cm (3 feed openings)	approx. 75 cm
02.33.300	225 cm (3 feed openings)	approx. 75 cm
02.33.200	150 cm (2 feed openings)	approx. 75 cm

item no.	Fittings
10.25.180	Support post 76 mm x 180 cm
11.02.250	Plastic protective sleeve 76 mm
10.26.160	Floor-mounted support post 76 mm x 160 cm (see page 35)
11.06.250	Stopper 76 mm
02.91.100	Set of feed front fasteners 76 mm
02.92.100	Operating handle
02.90.380	Hinge assembly for gate (see page 33)
02.90.950	Castor wheel (for gates longer than 2 m)





### Tombstone feed front

Spinder has expended its program with a new feed front. This tombstone feed front replaces the well-known diagonal model and is available for all age groups, from calves to mature cows. The design of the Spinder tombstone feed front has several advantages above the diagonal feed front or a simple tubing feed front. Here calves can learn, on a very early age, how to deal with a (self-locking) feed front; to lift up their heads to move through the feed front to eat. While eating this feed front provides for a wide enough feeding place; each age category has the right feeding width. This prevents pushing and shoving, so the animals can eat in peace.

### Major characteristics:

- Large head opening, also appropriate for horned cattle;
- Available for two week old calves to mature cows;
- Less pushing and shoving, the animals can eat in peace;
- Neck collar friendly;
- Less waste of feed; animals do not retract to chew;
- Cost-effective feed front;
- No pressure points on neck as with a tubing feed front;

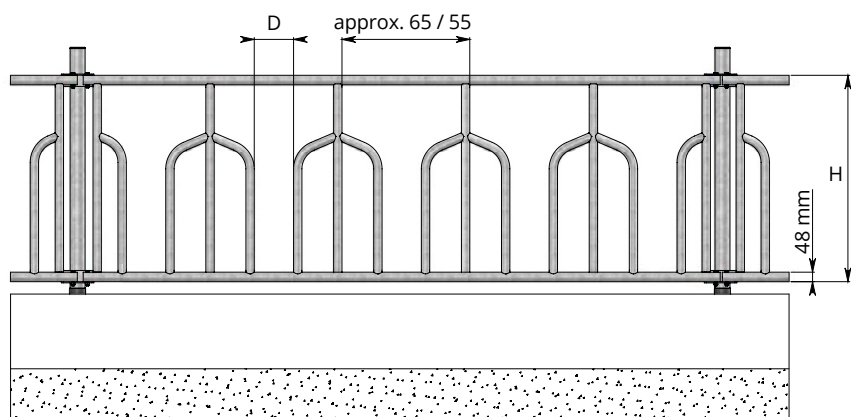
### Dimensions

The tombstone feed front is available for all age groups, from two week old calves to mature cows. The standard length of one section is 325 cm. Several smaller sections are available to match, size depending on number and width of the feeding places.

### Mounting

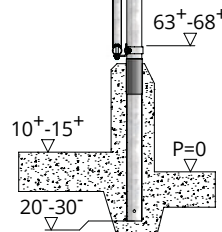
The tombstone feed front is mounted to 76 mm support posts with our universal fasteners. This way it is possible to extend a feed front section by 5 cm. If this proves insufficient, longer feed front fasteners are available (see pages 33-35).

The tombstone feed fronts for young heifers and calves are standard offered with a hinge bar and locking pin, to make the pens accessible for cleaning. By installing a so called hinge assembly a section for heifers and cows can be turned into a gate.



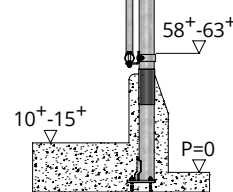
Sectional view installed feed front

Cows from 18 months



Sectional view installed feed front

Heifers 10-18 months



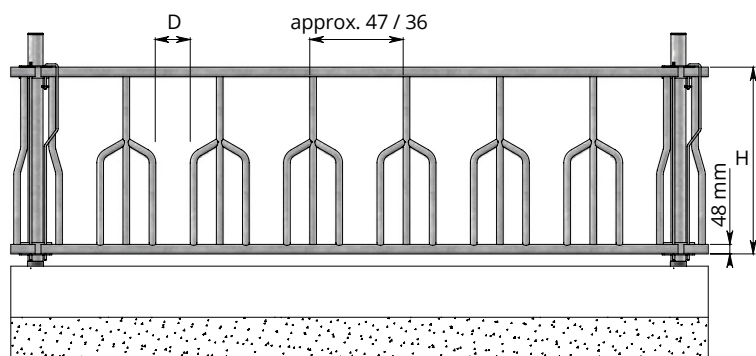
Tombstone feed front for cows and heifers.

item no.		
<b>Cows, D=20 cm, H=105 cm, Length (center to center)</b>		
22.21.500	325 cm	(5 feed openings)
22.21.400	262 cm	(4 feed openings)
22.21.300	198 cm	(3 feed openings)
22.21.200	134 cm	(2 feed openings)
<b>Heifers, D=20 cm, H=95 cm, Length (center to center)</b>		
22.22.500	325 cm	(6 feed openings)
22.22.400	274 cm	(5 feed openings)
22.22.300	219 cm	(4 feed openings)
22.22.200	171 cm	(3 feed openings)

item no.

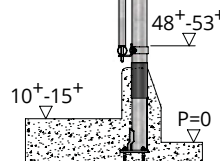
## Fittings

10.25.200	Support post 76 mm x 200 cm	(22.21)
10.25.180	Support post 76 mm x 180 cm	(22.22)
11.02.250	Plastic protective sleeve 76 mm	
10.26.180	Floor-mounted support post 76 mm x 180 cm	(see page 35)
10.26.160	Floor-mounted support post 76 mm x 160 cm	(see page 35)
11.06.250	Stopper 76 mm	
02.91.100	Set of feed front fasteners 76 mm	
02.90.105	Hinge assembly for gate	(see page 33)
02.90.960	Castor wheel (for gates longer than 2 m)	



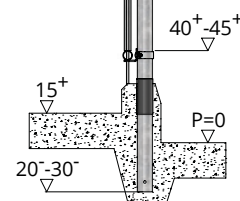
Sectional view installed feed front

Young heifers 6-10 month



Sectional view installed feed front

Calves 0-6 months



The tombstone feed front for calves come standard with 2 locking pins

item no.		
<b>Young heifers, D=17,5 cm, H=95 cm, Length (center to center)</b>		
22.24.500	325 cm	(7 feed openings)
22.24.400	282 cm	(6 feed openings)
22.24.360	239 cm	(5 feed openings)
22.24.300	196 cm	(4 feed openings)
<b>Calves, D=14 cm, H=79 cm, Length (center to center)</b>		
22.25.500	325 cm	(9 feed openings)
22.25.400	289 cm	(8 feed openings)
22.25.360	253 cm	(7 feed openings)
22.25.300	216 cm	(6 feed openings)
22.25.200	180 cm	(5 feed openings)

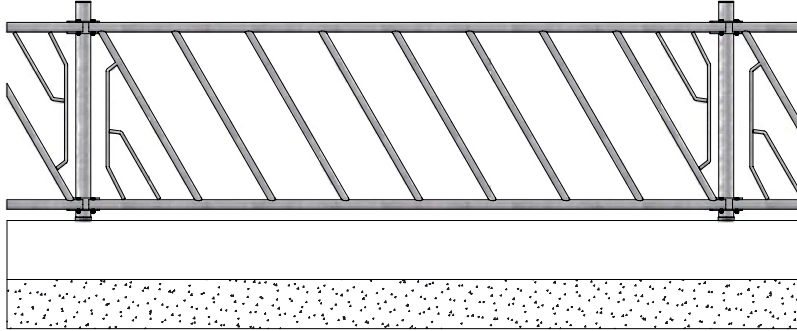
item no.

## Fittings

10.25.180	Support post 76 mm x 180 cm	(22.24)
10.25.160	Support post 76 mm x 160 cm	(22.25)
11.02.250	Plastic protective sleeve 76 mm	
10.26.160	Floor-mounted support post 76 mm x 160 cm	(see page 35)
10.26.130	Floor-mounted support post 76 mm x 130 cm	(see page 35)
11.06.250	Stopper 76 mm	
02.91.100	Set of feed front fasteners 76 mm	
02.90.020	Hanger to 48 mm	
02.90.950	Castor wheel (for gates longer than 2 m)	

Procedure to define a feed front (a special version) at places where a standard feed front does not fit.

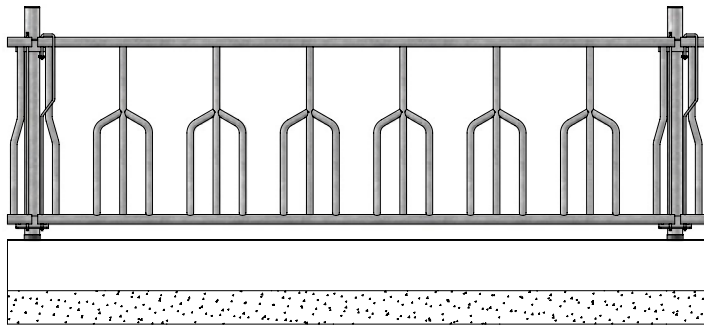
- Is the starting point a maximal number of head openings, you will find in the table the number of head openings for the required feed front length.  
(Example 1: diagonal feed front model 22.13, required feed front length = 340 cm → table at the top side → feed front with 9 head openings).  
(Example 2: tombstone feed front model 22.22, required feed front length = 340 cm → table at the bottom side → feed front with 6 head openings).



22.11 diagonal D29 - cows	
f.o.	Minimum length
1	82,3
2	119,7
3	157,1
4	194,5
5	231,9
6	269,3
7	306,7
8	344,1
9	381,5
10	418,9
11	456,3
12	493,7
13	531,1

22.13 diagonal D24 - young stock	
f.o.	Minimum length
1	76,5
2	108,1
3	139,7
4	171,3
5	202,9
6	234,5
7	266,1
8	297,7
9	329,3
10	360,9
11	392,5
12	424,1
13	455,7
14	487,3
15	518,9

22.15 diagonal D20 - calves	
f.o.	Minimum length
1	80,2
2	107,2
3	134,2
4	161,2
5	188,2
6	215,2
7	242,2
8	269,2
9	296,2
10	323,2
11	350,2
12	377,2
13	404,2
14	431,2
15	458,2
16	485,2
17	512,2



22.21 tombstone cows	
f.o.	Minimum length
1	62,4
2	127,4
3	192,4
4	257,4
5	322,4
6	387,4
7	452,4
8	517,4

22.22 tombstone heifers	
f.o.	Minimum length
1	42,2
2	97,2
3	152,2
4	207,2
5	262,2
6	317,2
7	372,2
8	427,2
9	482,2
10	537,2

22.24 tombstone young heifers	
f.o.	Minimum length
1	39,7
2	87,2
3	134,7
4	182,2
5	229,7
6	277,2
7	324,7
8	372,2
9	419,7
10	467,2
11	514,7

22.25 tombstone calves	
f.o.	Minimum length
1	33,8
2	70,1
3	106,4
4	142,7
5	179
6	215,3
7	251,6
8	287,9
9	324,2
10	360,5
11	396,8
12	433,1
13	469,4
14	505,7