

Mounted freestall divider model 'Profit' for cows

Freestall divider	01.10.500	01.10.510	01.10.513
Measurements wall row (cm)			
220-230	x		
230-240		x	
240-260			x
260-270	x		
270-280		x	
>280			x
Measurements single row (cm)			
220-230	x		
230-240		x	
>240			x
Measurements double row (cm)			
430-460	x		
460-480		x	
>480			x

The combinations of the measurements of the stall floor and the model of freestall divider are established to create the maximum space for the animal. Also these measurements prevent from creating precarious room between a wall and a row of dividers.

Freestall divider model 'Profit'

Spinder introduced the freestall divider model 'Profit' in 1996. During all these years the 'Profit' has been applauded for its simple, sturdy construction, its general applicability and the fact that it is so easy to install. But the most important feature of this model is that the 'Profit' offers excellent cow comfort. And, as the result of the unique design, this divider positions the animals in a straight line in the stalls. Therefore the animals stay much cleaner. Pages 3 and 4 show the technical specifications of this established model.

General applicable

The freestall divider model 'Profit' is mounted "freely" onto the stall floor. Meaning that it is not attached to any support posts or barn supports. The model 'Profit' for cows is produced in 3 lengths: 216, 206 and 190 cm (see page 3). Therefore this model is suitable for every situation, new buildings or renovations. One can select the ideal combination of divider length / stall floor length, and achieve the correct position.

Easy to install

The 'Profit' divider is mounted to the concrete floor with a solid foot piece. This foot piece is made of a heavy gauge tubing Ø70 mm (thickness 4 mm), welded on a heavy plate. After mounting the foot piece, the divider, Ø60 mm, is placed loose in the foot piece. By mounting the waved neckbars and head rails appropriately, an extremely stable construction is created.

Allows for a broad range of matting

The open space under the dividers and the far to the front position of the foot piece, allows for easy fitting of almost all kinds of matting. The dimensions of the 'Profit' divider and foot piece are designed for application of the FriesKo waterbed, Dunlomat, or a thin layer of loose bedding. When applying the Spinder Meadow mattress one has to make use of a filling ring to elevate the divider.

Special model for deep litter freestalls

For the deep litter freestalls we have a Profit model with an elevated mounting foot.

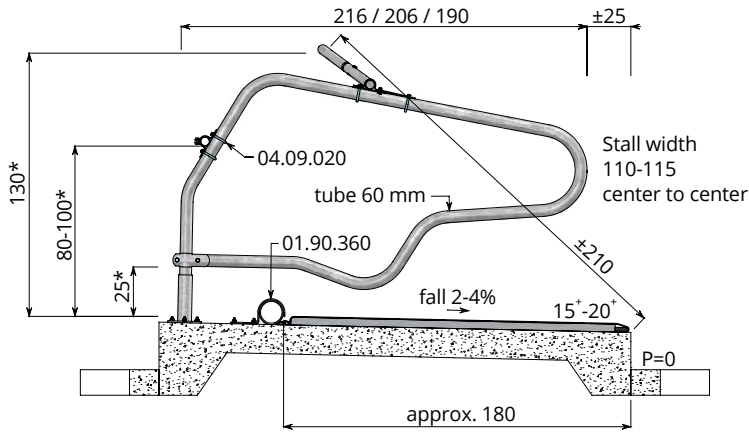
It works on the principle of an approx. 15 cm thick litter bed. For extra protection, after hot-dip galvanizing the mounting foot has been treated with a durable epoxy coating.

In combination with the also extended retaining knee rail support, the elevated Profit cubicle partition is most suitable for mechanically scattering and levelling the litter bed.

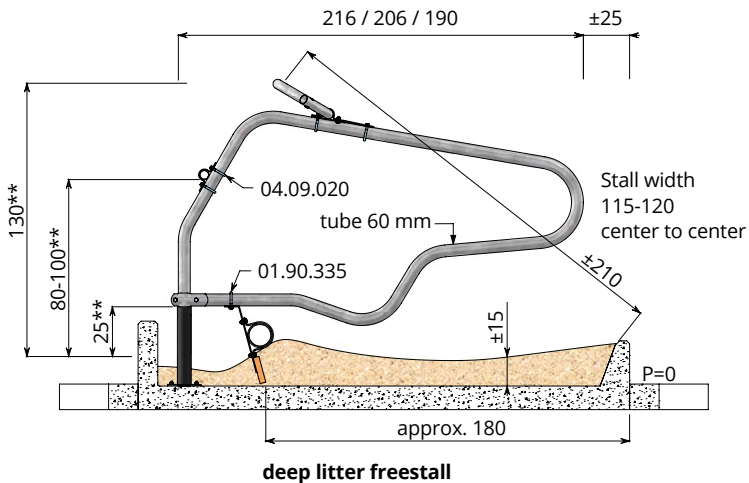
Important advantages:

- Optimal resting comfort due to careful design;
- Durability, due to the suspended construction;
- Quick and easy to install;
- All the right dimensions are available;
- Allows for all types of matting materials;
- Special deep litter model;

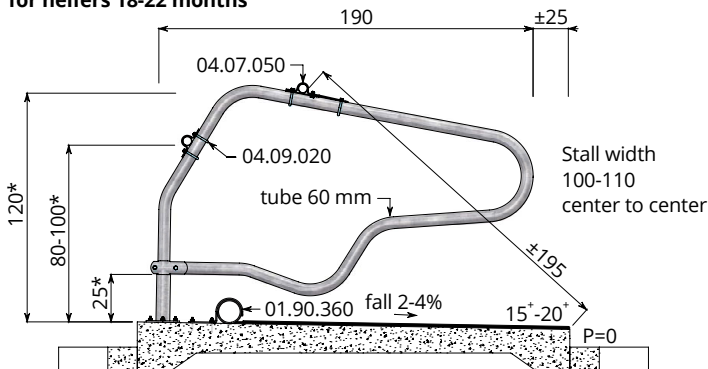
01.10.513 / 01.10.510 / 01.10.500
Model 'Profit' 216 / 206 / 190
for cows



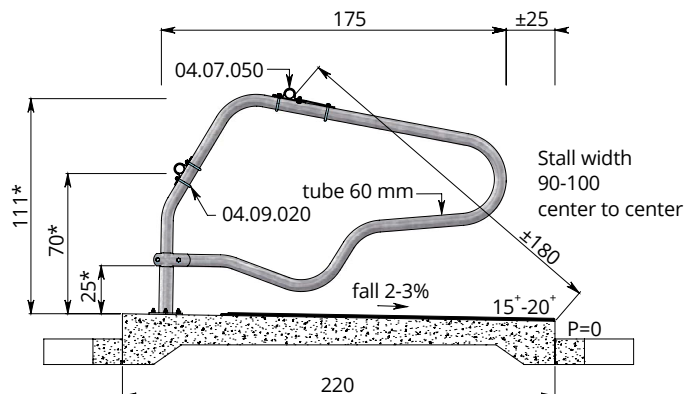
01.10.613 / 01.10.610 / 01.10.600
Model 'Profit' 216 / 206 / 190
for cows



01.10.500
Model 'Profit' 190
for heifers 18-22 months



01.10.520
Model 'Profit' 175
for heifers 10-18 months



item-no.

Freestall divider model 'Profit' for cows and heifers (mounting support piece and T-clamp included)

- 01.10.513 Freestall divider model 'Profit' 216 for cows
01.10.510 Freestall divider model 'Profit' 206 for cows
01.10.500 Freestall divider model 'Profit' 190 for cows
01.10.520 Freestall divider model 'Profit' 175 for heifers

Fittings

- 04.07.050 Shoulder rail strap clamp 48 x 60 mm
04.09.020 Strap clamp 48 x 60 mm
11.11.240 Floor anchor M12 x 106 (3 per divider)
11.12.012 Chemical anchor M12 (10 anchors),
an alternative to floor anchor
10.15.600 Tube 48 mm, length 6 m
04.21.015 Tube clamp coupling 48 mm
04.24.015 End coupling 48 mm
11.11.210 Floor anchor M10 x 71 (2 per end coupling)
04.24.115 Adjustable end coupling
04.08.010 Matching cross clamp 48 x 48 mm
01.90.360 Mounting clip for knee rail PE125
11.11.210 Floor anchor M10 x 71 (2 per mounting clip)

- 01.10.503 Filling ring for application of a 4 cm thick cow mattress

'Profit' for deep litter freestalls

Freestall divider model 'Profit' for cows. The elevated mounting foot has been treated specifically with a durable **epoxy coating** (elevated mounting foot +16cm, filling ring 16cm and T-clamp included)

- 01.10.613 Freestall divider model 'Profit' 216 for cows
01.10.610 Freestall divider model 'Profit' 206 for cows
01.10.600 Freestall divider model 'Profit' 190 for cows
11.11.440 Floor anchor inox A4 M12 x 106 (3 per divider)
01.90.335 Knee rail support for PE125, for deep litter freestall

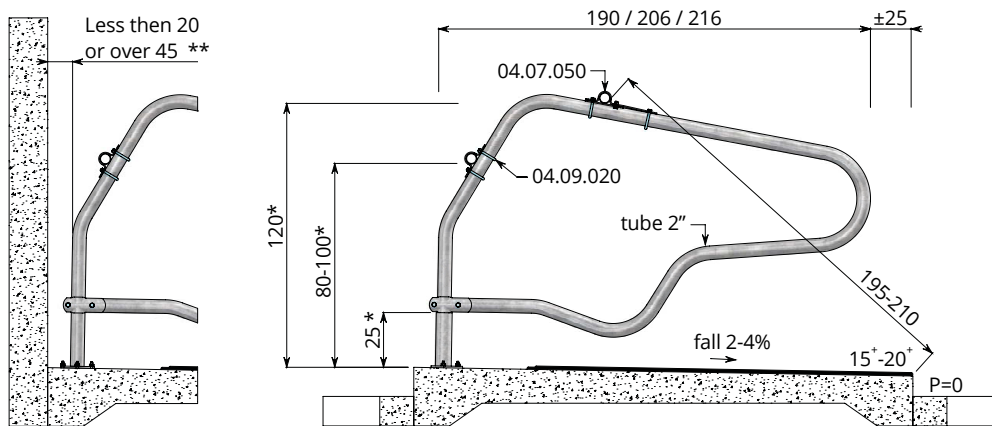
* - measured from the top of the cow mattress
** - measured from the top of the litter bed

Waved neck bar

With the waved neck bar the shoulder height or diagonal boxside - neck rail can be raised up till 30 cm (see page 18).

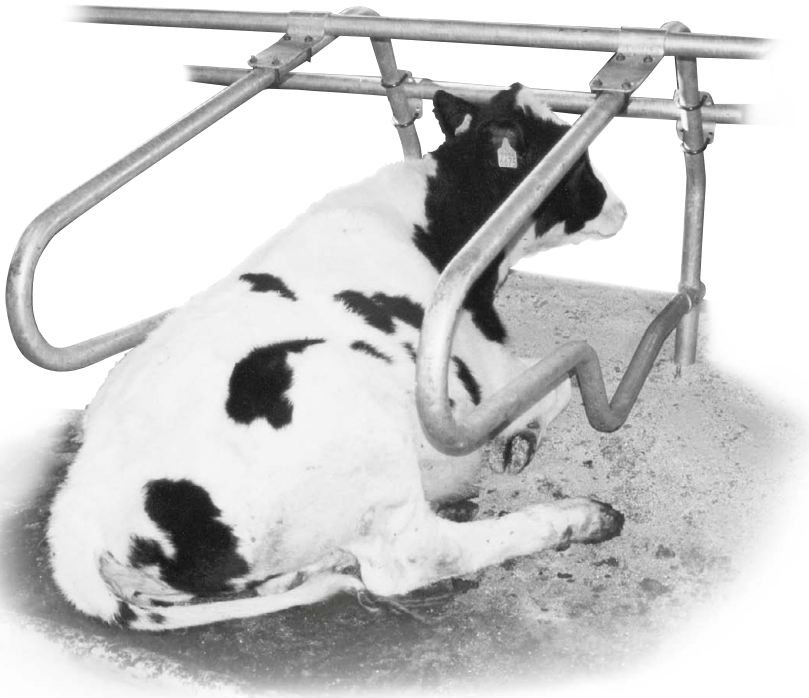
When to use which Profit model ?

- In the case of a row of stalls against a wall, the critical distance between the wall and the freestall divider (<20 and >45 cm) determines the selection between Profit 190, Profit 206 or Profit 216;

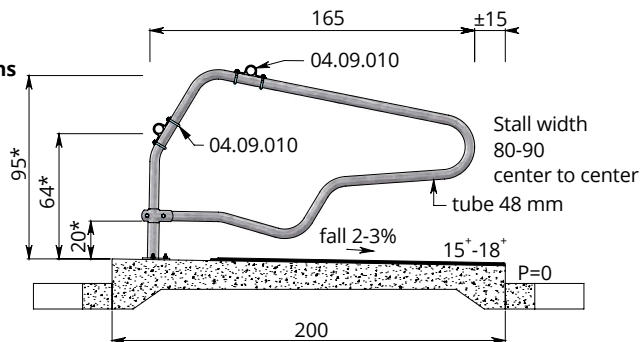


* Dimension is based on the use of Dunlomat, waterbed or sawdust as bedding. At the use of so-called cow mattresses, this dimension has to be adjusted, depending on the thickness of the mattress, with a filling ring.

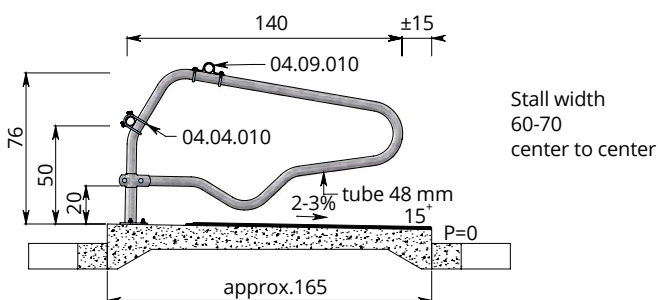
** In case of measurements between 20 and 45 cm, the space needs to be filled to avoid cows from being trapped.



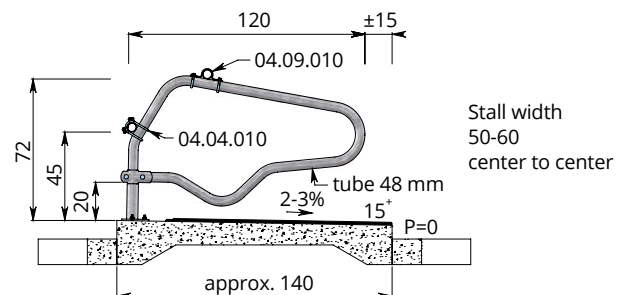
01.10.540
Model 'Profit'
for heifers 6-10 months



01.10.560
Model 'Profit'
for calves 2-6 months



01.10.580
model 'Profit'
for calves ½-2 months



In a modern dairy operation much attention is paid to young stock, and especially to the housing of the young animals. The freestall dividing system is used for all age categories. At a very early age the young animals can get familiar with dry, comfortable and safe stalls, adjusted to their size. A proper, hygienic environment is essential for the development of these animals, and therefore required for an optimal performing dairy cow. With this in mind, Spinder has designed the freestall 'Profit' for every age group. The 'Profit' freestall dividers for young heifers and calves are made of 48 mm tubing, and have all the features and advantages of the dividers for cows and heifers.

item-no.

01.10.540	Freestall model 'Profit' 165 for heifers
01.10.560	Freestall model 'Profit' 140 for calves
01.10.580	Freestall model 'Profit' 120 for calves
	Mounting support pieces and T-clamps are included with all freestall dividers
	Fittings
04.09.010	Strap clamp 48 x 48 mm
04.04.010	Wire clamp 48 x 48 mm
11.11.240	Floor anchor M12 x 106 (3 per divider)
11.12.012	Chemical anchor M12 (10 anchors), an alternative to floor anchor
10.15.600	Tube 48 mm, length 6 m
04.21.015	Tube clamp coupling 48 mm
04.24.015	End coupling 48 mm
11.11.210	Floor anchor M10 x 71 (2 per end coupling)
04.24.115	Adjustable end coupling
04.08.010	Matching cross clamp 48 x 48 mm

01.10.543 Filling ring for application of a 3 cm thick cow mattress

* - measured from the top of the cow mattress