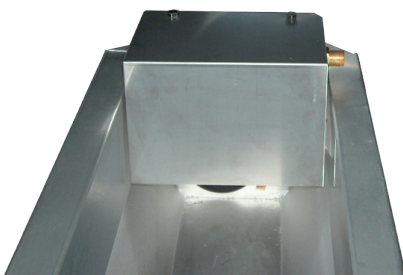




• Model 200, wall mounted



• Model 150, floor mounted



**Drinking trough models 150, 200 and 300**

Cows are herd animals. They like standing together at a long drinking trough. A drinking trough is most suitable for providing many cows with clean drinking water in a short period of time. Cleaning these long drinking troughs is also a very easy task. After removal of the stopper, the dirt is automatically discharged into the pit. Model 150 (150 cm long) has a capacity of about 100 litres and offers sufficient drinking facilities for approx. 15 cows. Model 200 (200 cm long) has the same characteristics as model 150, but has a reservoir of 130 litres and offers therefore sufficient drinking facilities for approx. 20 cows. Model 300 (300 cm long) has a capacity of about 200 litres and offers sufficient drinking facilities for approx. 30 cows.

Model 150  
Dimensions: 28 x 150 cm  
Capacity: approx. 100 litres

Model 200  
Dimensions: 28 x 200 cm  
Capacity: approx. 133 litres

Model 300  
Dimensions: 28 x 300 cm  
Capacity: approx. 200 litres

Attachment: floor or wall attachment  
Drinking height: 80 cm (top of the drinking trough)

**Stainless steel reservoirs for high pressure system**

A large drinking trough and a high capacity ball valve allows for several cows to be drinking undisturbed. Especially after milking, dairy cattle show an urgent need for fresh water. The large discharge (85 mm), flat bottom and funnel-shaped walls make for easy cleaning of this drinking trough. After removal of the stopper with handle, the dirt is automatically discharged into the pit.

**Important features:**

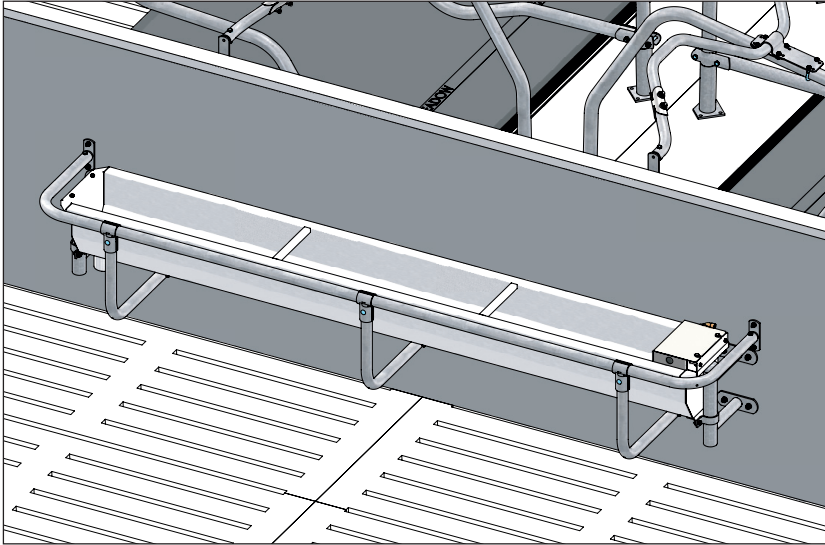
- Made from stainless steel and fully stained;
- Outward-turned edges, no caking of dirt;
- Easy to clean, thanks to a smooth and funnel-shaped finish;
- Easily removable stop.

**Accessories:**

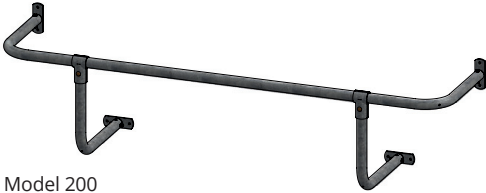
- Suevia float, capacity max. 40 litres/min.;
- Fastening items for wall or floor mounting.

**Optional:**

- A protection bracket if the drinking trough is placed against a (concrete) wall.



• Protection brace for model 300



Model 200



Model 150



• Protection brace for model 200

**Protection brace for stainless steel water troughs**

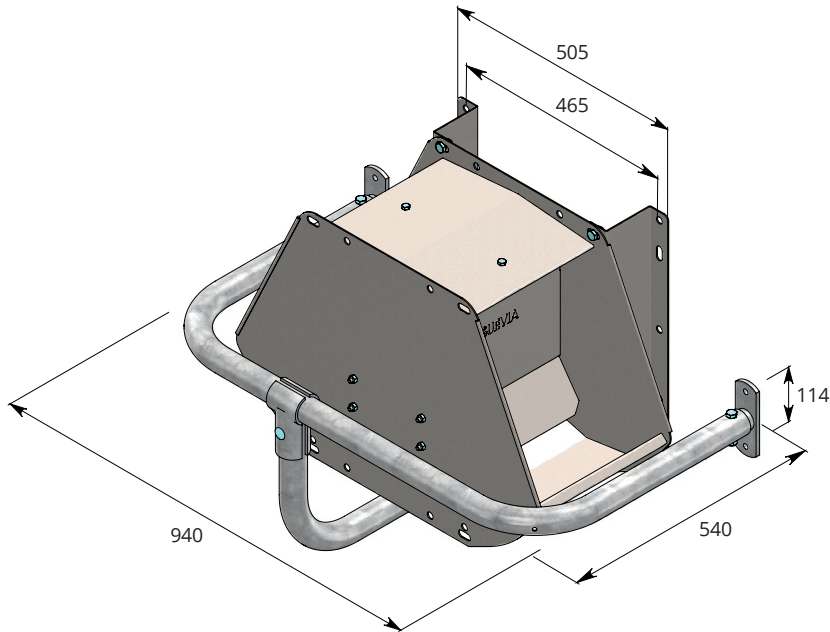
- 06.12.915 Protection brace for model 150
- 06.12.920 Protection brace for model 200
- 06.12.930 Protection brace for model 300

**Accessories**

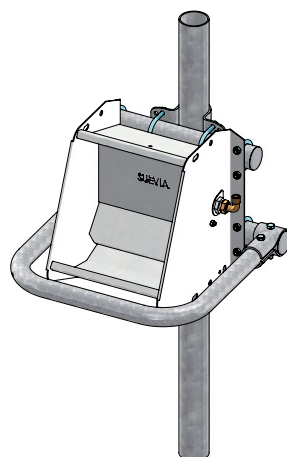
- 11.11.220 Floor anchor M10 x 86
  - 6 per brace for model 150
  - 8 per brace for model 200
  - 10 per brace for model 300



• Stainless steel dual-trough, model 520



• Stainless steel drinking trough, model 500 plus protection brace



**Drinking water is essential**

Milk consists for 90% of water. Therefore it is essential to provide cows with good and plenty drinking water. In addition water is vital for the animals to function well. In a day a cow drinks on average 9 times. A high producing cow needs to drink at least 160 litres of water in these times. For each litre of milk a cow produces, she needs to take in at least 4 litres of water.

Please do not underestimate the importance of a good drinking water system. To allow all cows to drink adequately, we recommend installing one water trough for 20 animals.

Additionally to the quantity of water, the quality of the water is important as well. Therefore staying clean and easy cleaning of the troughs is fundamental. With this in mind Spinder offers a large assortment of drinking water troughs; a selection of small enamel cast bowls and both small and large stainless steel water troughs. All of these are very easy to keep clean.

**Stainless steel dual-trough**

One of the advantages of our stainless steel dual water trough is its compact size. The trough is accessible from two opposite sides. This way two animals can drink undisturbed simultaneously. Also the animals that are drinking are not blocking other animals passing by. This for the benefit of comfort and undisturbed cow-traffic in the barn. The substantial flow of approx. 30 litres per minute makes that the animals can drink all through quickly. Installation and plumbing is easy to do. One dual-trough can supply 35-40 cows. To prevent the trough from freezing we can offer a heating element. It goes without saying that the stainless steel construction guarantees durability.

- 06.60.525** Stainless steel dual-trough
- 11.11.230** Floor anchor M12 x 86 (4 per dual-trough)
- 06.16.260** Protection brace for dual-trough
- 11.11.210** Floor anchor M10 x 71 (6 per protection brace)
- 06.60.524** Heating element for model 520, 24 Volt / 80 Watt

**Stainless steel drinking trough, model 500**

Many features of this model are the same as those of the dual-trough. Only this model can supply just one animal with fresh and clean water at the time. This model can also be mounted to a feed front, walls, support posts, or barn supports. One stainless steel drinking trough, model 500, can supply approximately 20 cows. To prevent the trough from freezing we can offer a heating element. With this model as well the stainless steel construction guarantees durability.

- 06.60.500** Stainless steel drinking trough, model 500
- 06.90.085** Protection brace for model 500, mounted to a wall
- 06.90.080** Support + protection brace for model 500, mounted to a 76mm post
- 06.60.523** Heating element for model 500, 24 Volt / 80 Watt

**Accessories**

- 06.60.380** Suevia transformer 24 Volt / 100 Watt
- 06.60.390** Suevia transformer 24 Volt / 200 Watt
- 06.60.861** Heating cable 24 Volt / 20 Watt 2,0 m



Suevia model 375



Suevia model 25R



Suevia model 1200



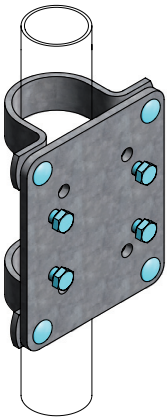
Suevia model 115



Suevia model 19R



Suevia model 46



Mounting plate for posts



Fastening clamp 169



Set of fastening clamps 179

Suevia model	Wall mounted	Post mount			
		48 mm	60 mm	76 mm	89 mm
375	11.11.240	06.60.169 (2x)	06.60.169 (2x)	06.90.050	06.90.050
25 R	11.11.240	06.60.179	06.60.179	06.90.050	06.90.055
1200	11.11.240	06.60.169 (2x)	06.60.169 (2x)	06.90.050	06.90.055
115	11.11.240	06.60.179	06.60.179	06.90.050	06.90.055
19R	11.11.240	06.60.179	06.60.179	06.90.050	06.90.055
46	11.11.240		06.50.020	06.50.025	06.50.030

<b>06.60.375</b>	<b>Suevia model 375</b> <ul style="list-style-type: none"> <li>Particularly for calves up to 3 months;</li> <li>Enamel cast iron bowl;</li> <li>Adjusting screw easy accessible;</li> <li>Connection top or bottom 3/4" B.S.P.;</li> <li>Water always evident;</li> <li>Capacity: 10-15 calves;</li> </ul>
<b>06.60.026</b>	<b>Suevia model 25R</b> <ul style="list-style-type: none"> <li>Appropriate for older heifers;</li> <li>Enamel cast iron bowl;</li> <li>Adjusting screw easy accessible;</li> <li>Connection top or bottom 3/4" B.S.P.;</li> <li>Capacity: 10-15 heifers;</li> </ul>
<b>06.61.129</b>	<b>Suevia model 1200</b> <ul style="list-style-type: none"> <li>Appropriate for maternity pens;</li> <li>Stainless steel, with rim to prevent spilling;</li> <li>Large capacity, up to 15 litres/min (at 5 bar);</li> <li>Connection top or bottom 3/4" B.S.P.;</li> <li>Easy to clean;</li> <li>Capacity: 5-10 cows;</li> </ul>
<b>06.60.115</b>	<b>Suevia model 115</b> <ul style="list-style-type: none"> <li>Appropriate for tie stalls;</li> <li>Enamel cast iron bowl;</li> <li>Adjusting screw behind the valve;</li> <li>Connection top or bottom 1/2" B.S.P.;</li> </ul>
<b>06.60.120</b>	<b>Suevia model 19R</b> <ul style="list-style-type: none"> <li>Ideal for barriers in between pens, accessible from 2 sides;</li> <li>Enamel cast iron bowl;</li> <li>Adjusting screw easy accessible;</li> <li>Connection top or bottom 3/4" B.S.P.;</li> </ul>
<b>06.60.047</b>	<b>Suevia model 46</b> <ul style="list-style-type: none"> <li>Appropriate for colder climates;</li> <li>A 24 Volt / 80 Watt heating element is located between top- and bottom bowl;</li> <li>Connection top or bottom 3/4" B.S.P.;</li> </ul>
<b>06.60.380</b>	<b>Transformer for heating element (100VA)</b>
	<b>Mounting plate for posts</b> <ul style="list-style-type: none"> <li>Sturdy mounting plate for connecting to posts;</li> <li>Fitting for models 25R, 19R, 115 and 1200;</li> <li>Less strain on the bowl as when mounted straight to post;</li> <li>Bolts and nuts are included;</li> </ul>
<b>06.90.050</b> <b>06.90.055</b>	Mounting plate for 76 mm Mounting plate for 89 mm
<b>06.60.169</b>	<b>Fastening clamp 169</b> <ul style="list-style-type: none"> <li>Fastening clamp M12 for 48-60 mm, galvanised;</li> <li>Fitting for models 375, 1200;</li> </ul>
<b>06.60.179</b>	<b>Set of fastening clamps 179</b> <ul style="list-style-type: none"> <li>Fastening clamp for 42-60mm;</li> <li>Set of 2 clamps with cast iron infilling;</li> <li>Fitting for models 25R, 19R, 115;</li> </ul>
<b>06.50.020</b> <b>06.50.025</b> <b>06.50.030</b>	<b>Mounting clip fastening model 46</b> <ul style="list-style-type: none"> <li>For mounting on 60 mm tube</li> <li>For mounting on 76 mm tube</li> <li>For mounting on 89 mm tube</li> </ul>