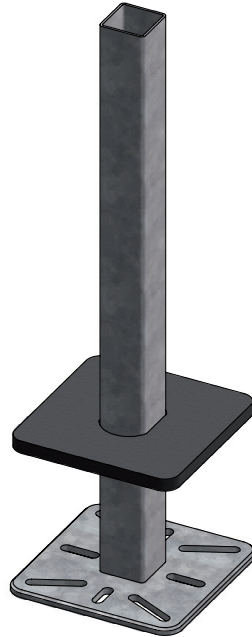


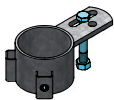
Floor-mounted support post



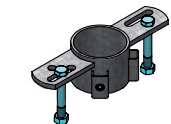
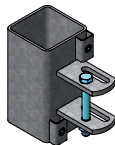
Floor-mounted support post, 76 mm, with large base plate



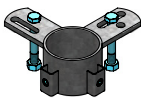
Floor-mounted support post, 80 mm, with large base plate and rubber cover for base plate



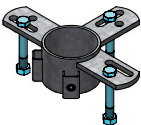
Fastener for 1 partition



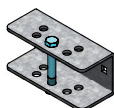
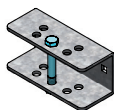
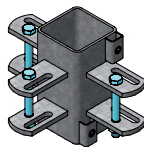
Fastener for 2 partitions (180°)



Fastener for 2 partitions (90°)



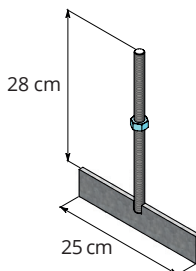
Fastener for 3 partitions



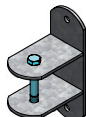
Universal fasteners



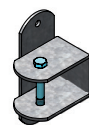
Stopper



T-bolt



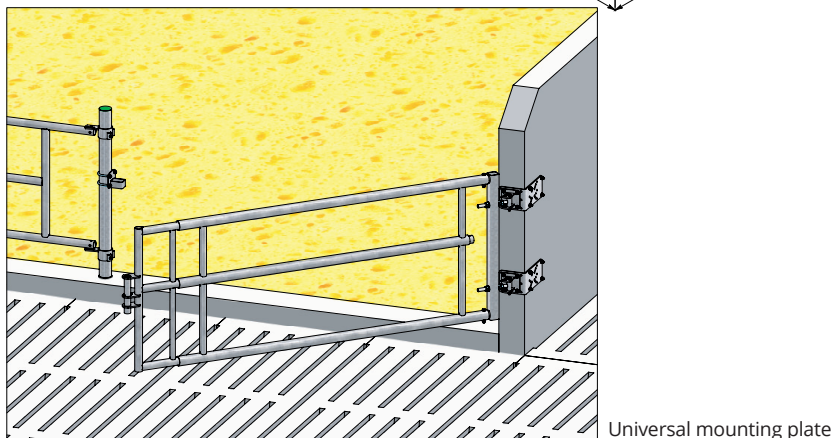
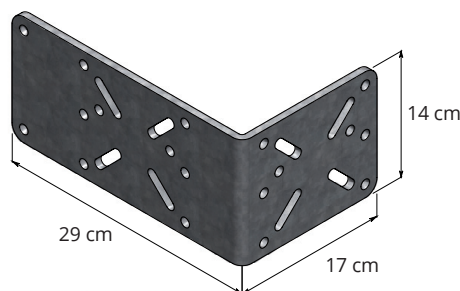
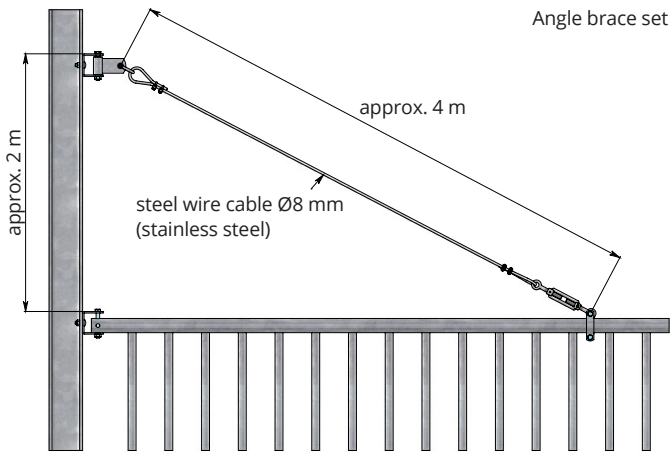
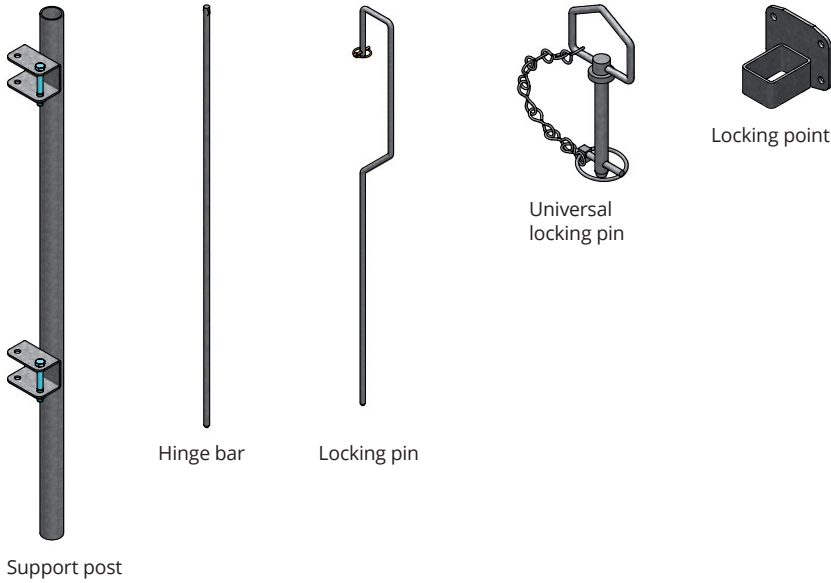
180°



90°

Set of wall fasteners

<p>10.21.140 10.26.100 10.26.120 10.26.130 10.26.145 10.26.160 10.26.170 10.26.180 10.81.160</p>	<p>Floor-mounted support post</p> <p>Size</p> <p>60 mm x 140 cm 76 mm x 100 cm 76 mm x 120 cm 76 mm x 130 cm 76 mm x 145 cm 76 mm x 160 cm 76 mm x 170 cm 76 mm x 180 cm 80 mm x 160 cm</p>
<p>10.26.360 10.81.360 10.26.910 11.10.300 11.10.310</p>	<p>Floor-mounted support post with large base plate</p> <p>Size</p> <p>2½" x 160 cm 80 mm x 160 cm</p> <p>Fittings</p> <p>Rubber cover for base plate T-bolt Adapting device, 9 cm, for T-bolt</p>
<p>11.06.150 11.06.200 11.06.250 11.06.300 11.06.800</p>	<p>Stopper</p> <p>Protects the inside of the tubes against moisture and dirt.</p> <p>Size</p> <p>48 mm 60 mm 76 mm 89 mm 80 mm</p>
<p>11.10.300</p>	<p>T-bolt</p> <p>T-bolt M16 with nut, for mounting floor-mounted support posts to a grid floor. Can also be used as concrete anchor. Size 28 x 25 cm</p>
<p>03.90.610 03.90.620 03.90.625 03.90.630 03.90.710 03.90.720 03.90.725 03.90.730</p>	<p>Set of fasteners</p> <p>Universal fasteners, for mounting various partitions to 76 mm and 80 mm support posts. Suitable for partition barriers and hinged partitions. Supplied in pairs and with bolts.</p> <p>For 1 partition barrier 76 mm For 2 partition barriers (180°) 76 mm For 2 partition barriers (90°) 76 mm For 3 partition barriers 76 mm For 1 partition barrier 80 mm For 2 partition barriers (180°) 80 mm For 2 partition barriers (90°) 80 mm For 3 partition barriers 80 mm</p>
<p>03.90.320</p>	<p>Wall hook</p> <p>For hanging a gate to a wall</p>
<p>03.90.330 03.90.331 03.90.332 03.90.333</p>	<p>Set of universal fasteners</p> <p>Fasteners for universal fastening of partition barriers. Widely applicable. Can also be used as hinge or locking point.</p> <p>Possibilities:</p> <p>Wall Support post 60 mm Support post 76 mm Support post 89 mm</p>
<p>03.90.300 03.90.310</p>	<p>Set of wall fasteners</p> <p>For mounting partition barrier to a wall. Can be used as hinge or locking point.</p> <p>Set of wall fasteners 60 mm x 180° Set of wall fasteners 60 mm x 90°</p>



<p>03.90.110 03.90.100 03.90.130 03.90.120</p>	<p>Support post</p> <p>All-purpose support post to connect partition barriers to different barn equipment with use of our standard clamps.</p> <p>Support post for partition barrier</p> <p>Height</p> <p>53 cm 79 cm 95 cm 112 cm</p>
<p>02.90.010 02.90.015</p>	<p>Hinge bar</p> <p>For mounting parts that are used as pin joint.</p> <p>Hinge bar 100 cm Hinge bar 125 cm</p>
<p>03.90.400 03.90.410</p>	<p>Locking pin</p> <p>To be used for locking points.</p> <p>Locking pin 100 cm Locking pin 125 cm</p>
<p>03.90.440</p>	<p>Universal locking pin</p> <p>Can be used as alternative for locking pin (2 per gate)</p>
<p>03.90.452</p>	<p>Locking point</p>
<p>03.91.300</p>	<p>Angle brace set</p> <p>Angle brace set for barrier gates, including third pivot point, steel wire cable and turnbuckle</p> <p>Angle brace set for barrier gates, made of tubes 48 mm or 60 mm</p>
<p>03.90.350</p>	<p>Universal mounting plate</p> <p>Mounting of barriers at the end panel of an end wall is often difficult concerning the thickness of the concrete wall. Spinder has developed a universal mounting plate which fits on all hinge and locking points. Also suitable for mounting 60 mm tubes on wooden stud.</p> <p>Major characteristics:</p> <ul style="list-style-type: none"> • Suitable for all hinge and locking points; • Suitable for mounting clips 48, 60, 76 mm and threaded straps 48, 60, 76, \varnothing 80 mm; • It prevents damage on concrete walls; • Solid, because of steel plate of 8 mm thickness; <p>Universal mounting plate</p>