

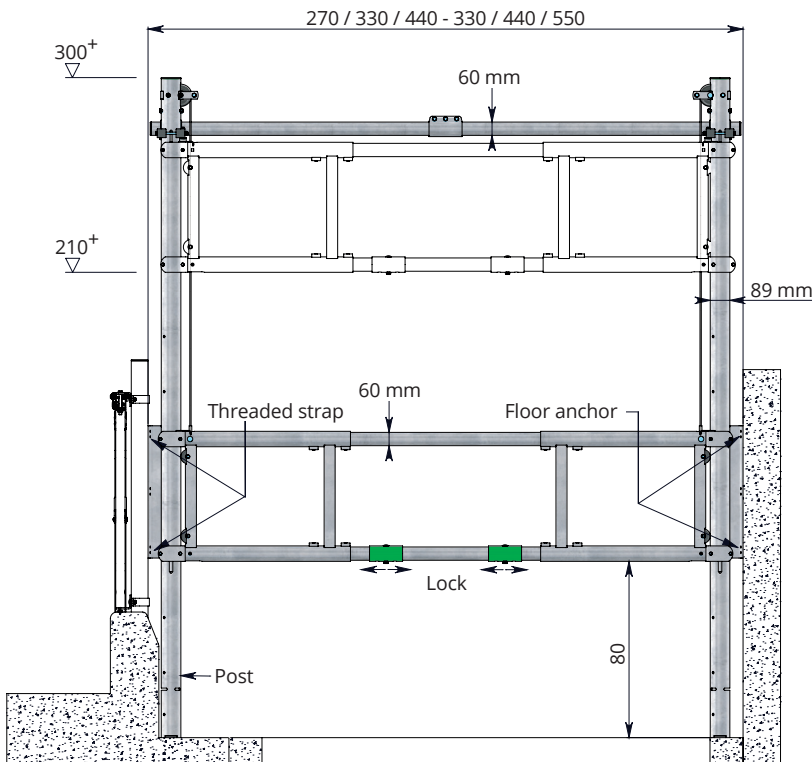
Draw-up gate - heavy duty

The new heavy-duty draw-up gate is of a very robust construction, suitable for passages from 270 cm to as much as 550 cm wide. Light and quick to move because of the practical locking mechanism and the counterweight hidden in the support posts. The minimum required building height for this fence is 300 cm. The 'open' position gives 210 cm of free space below the fence. Heavy duty draw-up gates **with a larger free passage** are available on request. The overall length of the draw-up gate is adjustable between the indicated dimensions.

For a stable and durable arrangement, the support posts of the draw-up gate are to be mounted to a concrete wall or to columns of the building construction. If this is impossible, extra 76 mm or 80 mm support posts should be ordered and installed. In addition, we recommend that the 60 mm connection tube of the draw-up gate is connected to the building construction.

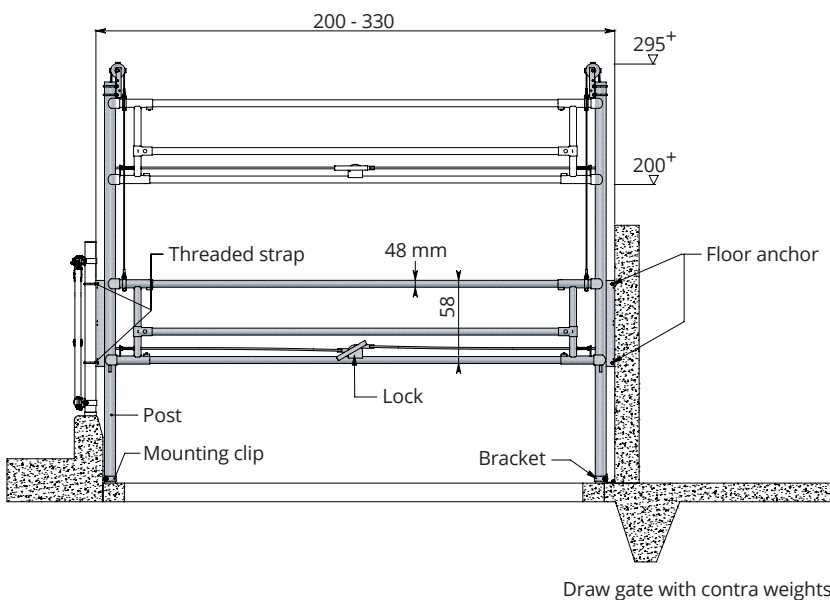
Specification:

- Support posts 89 mm;
- Partition barrier, beams 60 mm;
- Side guide with plastic rollers and guide strips;
- Fitted with buffer blocks at the limiters' upper position;
- Locking technology bottom position (closed position) completely concealed in the lower beam.



03.24.600	Total length 270-330 cm
03.24.700	330-440 cm
03.24.800	440-550 cm

04.57.250	Fittings Threaded strap 76 x 105 mm (3 pcs. per post)
04.80.110	Threaded strap 80 x 110 mm (3 pcs. per post)
11.11.240	Floor M12 x 106 mm (3 pcs. per post for mounting to a concrete wall, 2 pcs. per post for floor mounting)



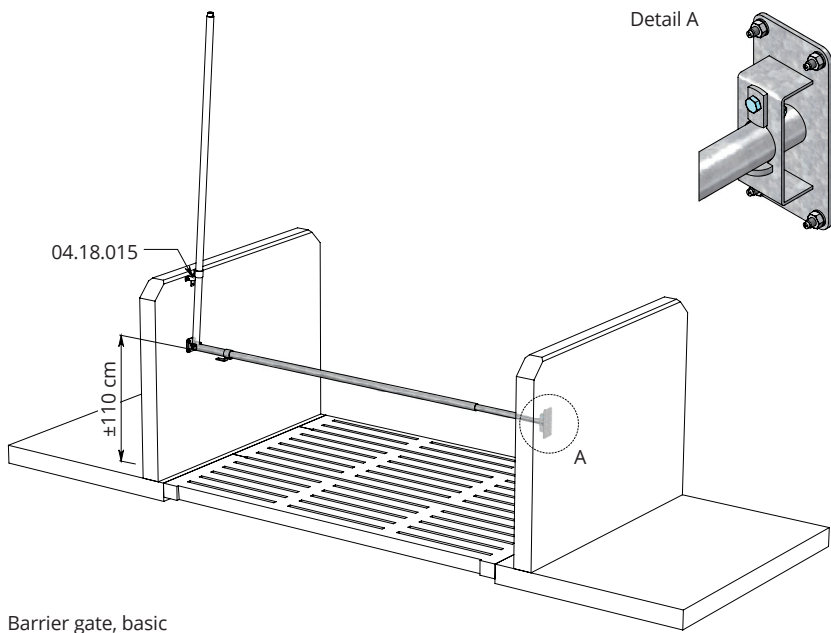
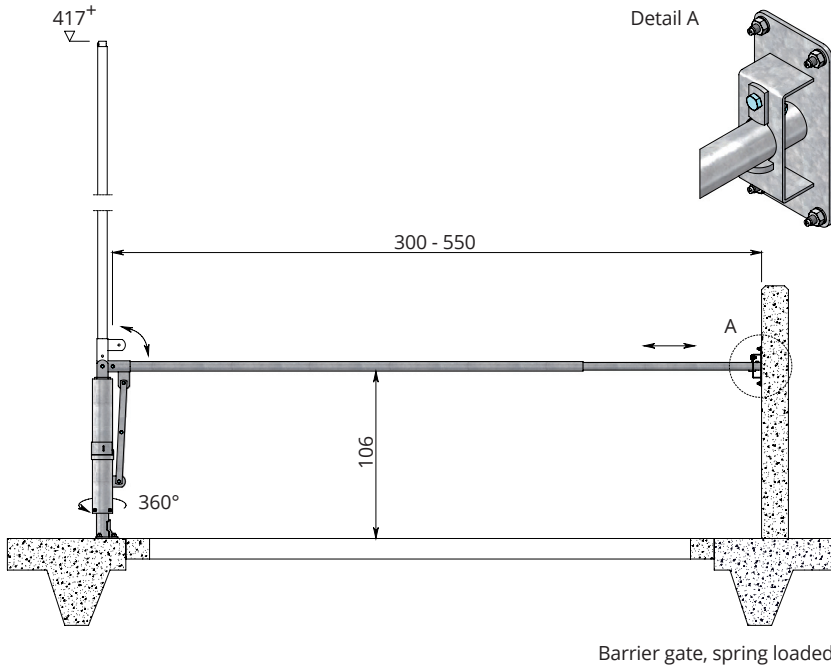
Draw-up gate - light

Thanks to its dimensions, this compact draw-up gate is most suitable in situations where there is not enough space for a rotating barrier. Suitable for passages with a width from 200 cm to 330 cm. The minimum required building height for this fence is 295 cm. The 'open' position gives 200 cm of free space below the fence.

Specification:

- Support posts 76 mm;
- Partition barrier, beams 48 mm;
- External locking technique.

03.24.200	Total length 200-330 cm
03.24.900	Fittings Bracket 76 mm post to floor
11.11.240	Floor anchor M12 x 106
04.18.025	Mounting clip 76 mm
11.11.220	Floor anchor M10 x 86 mm
04.57.250	Threaded strap 76 x 105 mm
04.80.110	Threaded strap 80 x 110 mm



Barrier gate, spring loaded

To close quickly and simple large crossovers, for example feeding passages. The barrier gate can rotate 360° around the included floor mounted support post (76 mm x 100 cm). Included also a locking point which can be mounted to the wall or on a support post 76 mm. In combination with several locking points it is easy to move the animals in different directions.

03.23.300 300-550 cm

Fittings

- 03.21.005** Additional locking point
- 04.57.250** Threaded strap 76 x 105 mm (2 per locking point)
- 10.26.130** Floor-mounted support post 76 mm x 130 cm

Barrier gate, basic

To close quickly (smaller) crossovers during movement of groups of cows. Standard hinge point and a locking point is included for mounting to a wall or on a support post 76 mm.

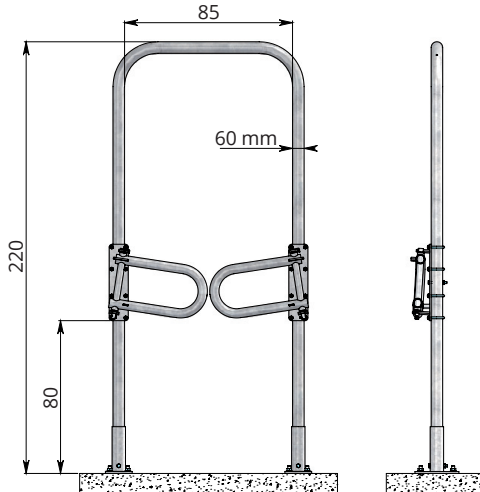
03.21.200 200-400 cm

Fittings for mounting to support post

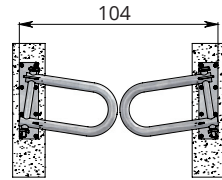
- 10.26.160** Floor-mounted support post 76 mm x 160 cm
- 04.57.250** Threaded strap 76 x 105 mm (4 per barrier gate)

Fittings for mounting to wall

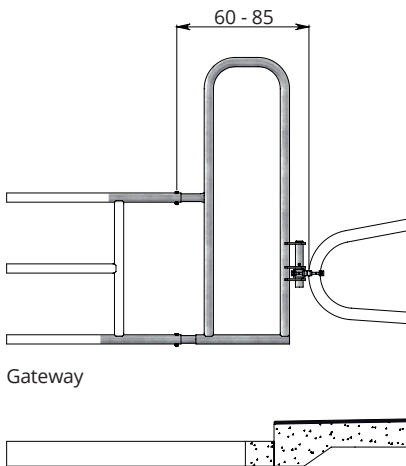
- 04.18.015** Mounting clip 48 mm
- 11.11.210** Floor anchor M10 x 71 mm (10 per barrier gate)



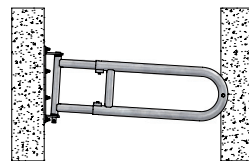
One-way gate with Texas doors



Pair of Texas doors

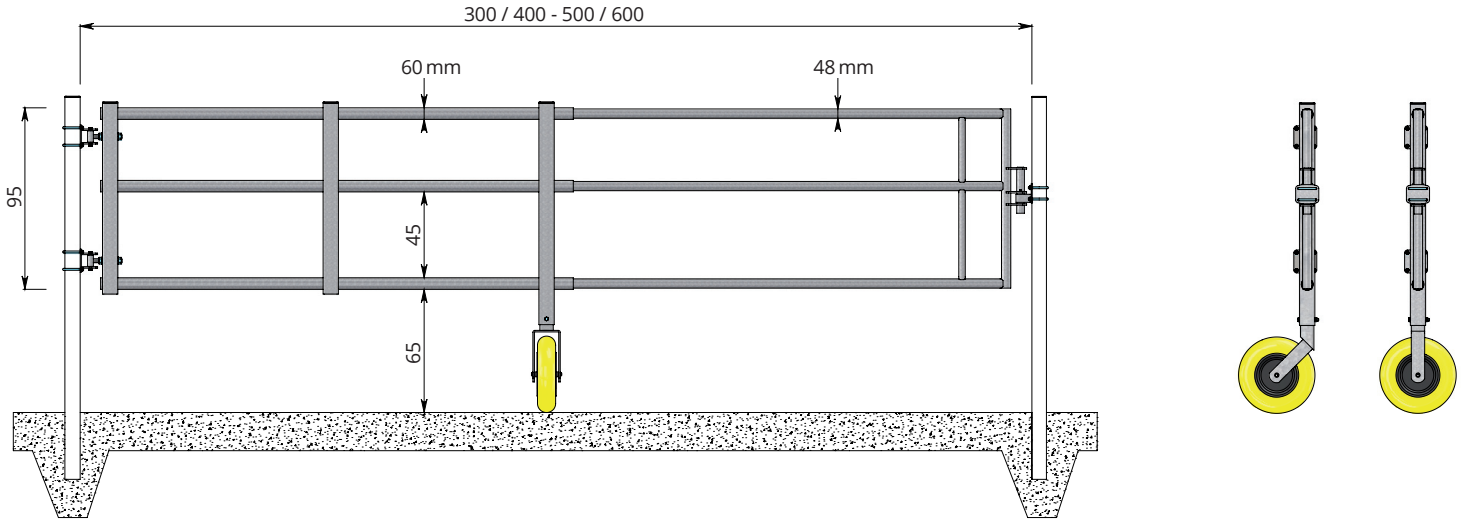


Gateway



Self-closing gate

	<p>Texas gate</p> <p>A Texas gate can be used for easily closing the separation passage or the exit of the milking robot. A Texas gate consists of a set of Texas doors, mounted to a robust 60 mm gate. This 60 mm gate is mounted at the bottom using two mounting feet, made of thick-walled 70 mm pipes onto a heavy base plate. The Texas gate can be placed onto both a concrete floor and a slatted floor.</p> <p>03.19.500 One-way gate with Texas doors</p> <p>Fittings</p> <p>11.11.250 Floor anchor M16 x 120 mm (4 per gate)</p> <p>11.10.300 T-bolt M16 x280 mm with nut</p>
<p>03.19.400</p>	<p>Pair of Texas doors</p> <p>Pair of Texas doors</p>
<p>03.18.600</p>	<p>Gateway</p> <p>Made to step easily through a partition barrier, height 79 cm (model 03.15). Standard provided with our universal locking point. This gateway has a width of 35 cm and is 130 cm high. By installing a gateway to a partition barrier the length of the barrier will be increased by 60cm minimum to 85 cm maximum.</p> <p>Gateway</p>
<p>03.19.300 03.19.350</p>	<p>Self-closing gate</p> <p>To be installed in the return lane of the parlour. Because of its inclined position the gate closes automatically.</p> <p>adjustable self-closing gate, 75-110 cm adjustable self-closing gate, 110-145 cm</p>



Telescopic partition barrier with castor wheel



• Passage way in a feed alley using 2 telescopic partition barriers



• Passage way in feed alley closed off; castor wheel in line with parapet under feed front

Telescopic cow traffic gate

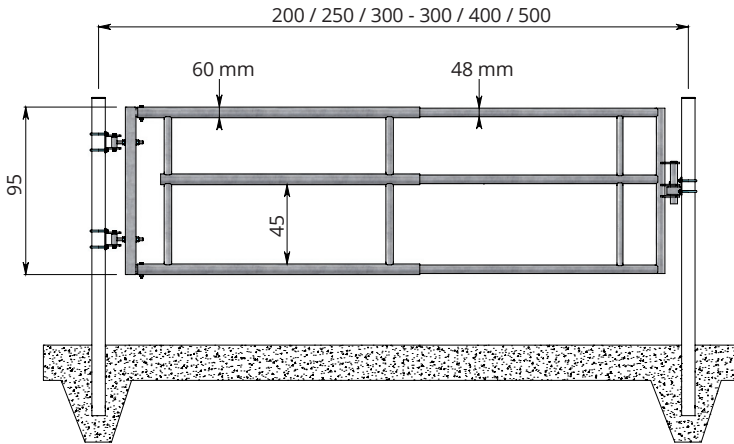
A solid solution in places where different widths of passages using one and the same fence must be closed off in a rotating manner. Also ideal for making crossings over the feeding passage, closing waiting areas, or as intermediate barriers in spacious straw-bedded pens. The anti-puncture support wheel (wheelbarrow wheel) runs smoothly, both on flat concrete floors and on slatted floors. In straw-bedded pens or in the presence of fixed manure scrapers, a support wheel cannot be used and an angle brace must be fitted. The 45cm free space between both lower horizontal bars is sufficiently wide to quickly move through the man passage. The telescopic cow traffic gate comes standard with heavy-duty adjustable pivoting points M20 and a universal locking point, delivered as a whole for mounting to support posts. For mounting to e.g. support posts or against a concrete wall, the necessary assembly accessories are to be ordered separately.

Technical data:

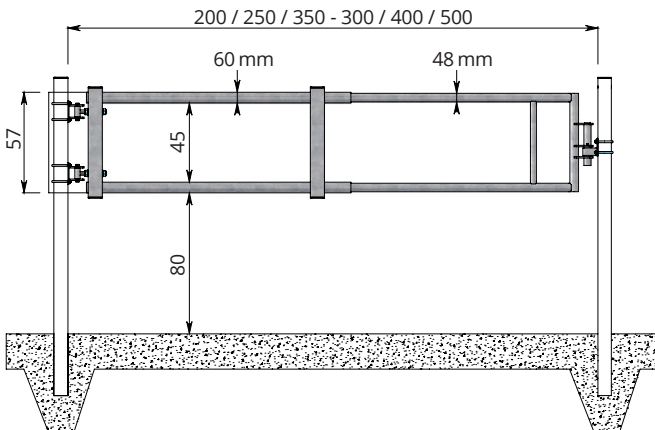
- Heavy 60 mm continuous frame / vertical tubes 80 mm;
- Heavy, adjustable pivoting points M20;
- Extendible part with universal locking point;
- Fitted with anti-puncture support wheel in straight or slanted arrangement;
- including heavy adjustable pivoting points and threaded straps for mounting to vk80 support post;
- including locking point and threaded straps for mounting to 76 mm support post.

03.22.400	Total length: 300-500 cm, with castor wheel straight model
03.22.450	300-500 cm, with castor wheel 45° model
03.22.500	400-600 cm, with castor wheel straight model
03.22.550	400-600 cm, with castor wheel 45° model

03.91.300	Fittings Angle brace set for barrier gates
03.90.452	Locking point
04.57.250	Threaded strap 76 x 105 mm (2 per locking point)
11.11.220	Floor anchor M10 x 86 mm (4 per lockingpoint) (2 per angle brace set) (12 per partition barrier complete)



Telescopic partition barrier



Telescopic partition barrier



• Telescopic partition barrier. Mounted on the wall above a water trough

Telescopic partition barrier

Adaptable solution on places where different size passages have to be closed with one hinged barrier. Also suitable for making a passage way in a feed alley. The opening of 45 cm between the two bottom rails makes it easy for a person to quickly step to the other side. The telescopic partition barrier has a universal locking point and a set of adjustable pivoting points, both mounted to a 76 mm support post.

03.22.200	Total length	200-300 cm
03.22.250		250-400 cm
03.22.300		300-500 cm

Telescopic partition barrier with 2 horizontal tubes

Adaptable solution in places where different size passages have to be closed with one hinged barrier. Sufficient free space (80 cm) below the barrier for the passage of a robot manure scraper. With a barrier height of 57 cm even mounting above a water trough is possible.

The telescopic partition barrier is standard equipped with a heavy set of adjustable pivoting points M20 and a universal locking point, delivered complete for mounting to support posts. For mounting on for example a roof column or a concrete wall, the required mounting accessories must be ordered separately.

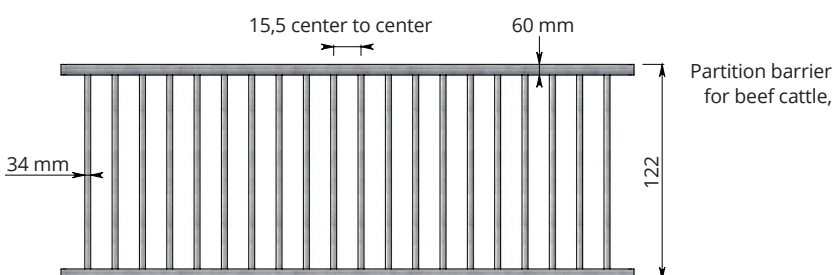
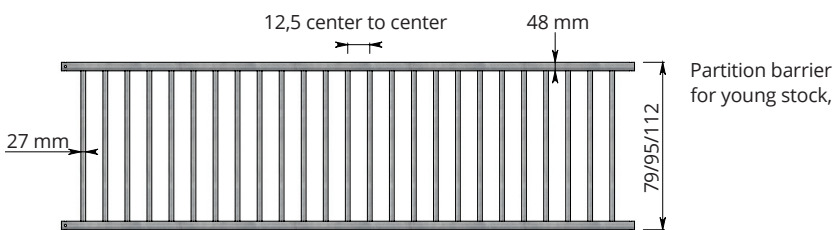
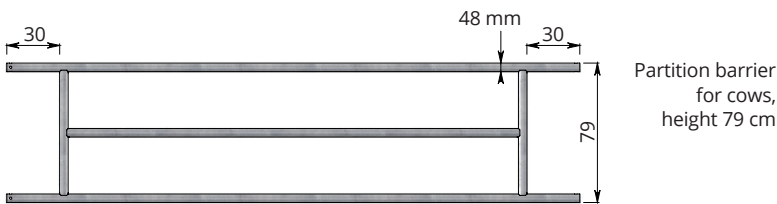
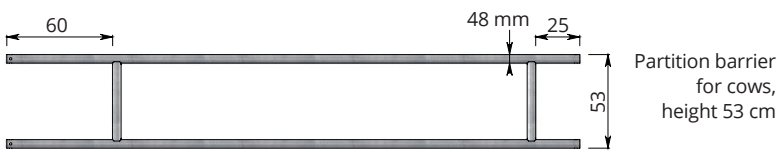
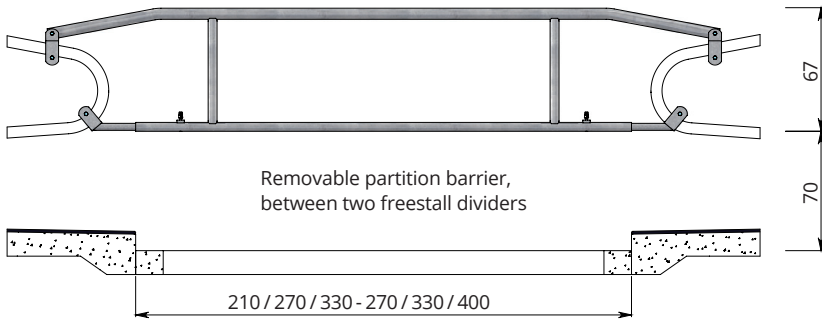
Major characteristics:

- Robust frame with heavy 60 mm horizontal tubes and vertical square tubes 80 mm;
- Adjustable pivoting points M20;
- Telescopic part with universal locking point;
- Comes with threaded straps for mounting the locking point to a 76 mm support post;
- Comes with threaded straps for mounting the pivoting points to a square 80 mm support post;

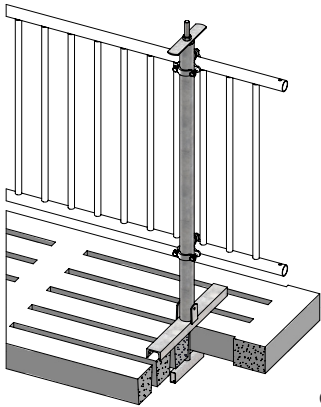
03.22.800	Total length	200-300 cm
03.22.850		250-400 cm
03.22.900		350-500 cm

Fittings

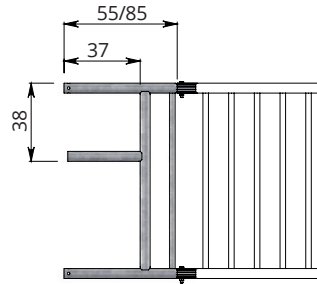
03.90.452	Locking point	
04.57.250	Threaded strap 76 x 105 mm (2 per locking point)	
11.11.220	Floor anchor M10 x 86 mm (4 per lockingpoint)	
	(12 per partition barrier complete)	



<p>03.18.120 03.18.150 03.18.180</p>	<p>Removable partition barrier between two freestall dividers</p> <p>Ideal for adaptable grouping. Easy to move. Can be used in alleys from 210 cm till 400 cm wide.</p> <p>210 - 270 cm 270 - 330 cm 330 - 400 cm</p>
<p>03.14.200 03.14.300 03.14.400 03.14.500</p>	<p>Partition barrier for cows, height 53 cm</p> <p>Partition barrier to fence off the holding area. Can be shortened on one side by approx. 50 cm</p> <p>Length 215 cm 270 cm 325 cm 350 cm</p>
<p>03.15.200 03.15.300 03.15.400 03.15.500 03.15.600</p>	<p>Partition barrier for cows, height 79 cm</p> <p>Length 215 cm 270 cm 325 cm 350 cm 400 cm</p>
<p>03.12.200 03.12.300 03.12.350 03.12.400 03.12.500 03.12.600</p> <p>03.11.200 03.11.300 03.11.350 03.11.400 03.11.500 03.11.600</p> <p>03.13.200 03.13.300 03.13.350 03.13.400 03.13.500 03.13.600</p>	<p>Partition barrier for young stock</p> <p>Partition barrier young stock H= 79 L=215 cm Partition barrier young stock H= 79 L=270 cm Partition barrier young stock H= 79 L=300 cm Partition barrier young stock H= 79 L=325 cm Partition barrier young stock H= 79 L=350 cm Partition barrier young stock H= 79 L=400 cm</p> <p>Partition barrier young stock H= 95 L=215 cm Partition barrier young stock H= 95 L=270 cm Partition barrier young stock H= 95 L=300 cm Partition barrier young stock H= 95 L=325 cm Partition barrier young stock H= 95 L=350 cm Partition barrier young stock H= 95 L=400 cm</p> <p>Partition barrier young stock H= 112 L=215 cm Partition barrier young stock H= 112 L=270 cm Partition barrier young stock H= 112 L=300 cm Partition barrier young stock H= 112 L=325 cm Partition barrier young stock H= 112 L=350 cm Partition barrier young stock H= 112 L=400 cm</p>
<p>03.31.300 03.31.350 03.31.400 03.31.500 03.31.600</p>	<p>Partition barrier for beef cattle</p> <p>Partition barrier beef cattle H= 122 L=270 cm Partition barrier beef cattle H= 122 L=300 cm Partition barrier beef cattle H= 122 L=325 cm Partition barrier beef cattle H= 122 L=350 cm Partition barrier beef cattle H= 122 L=400 cm</p>

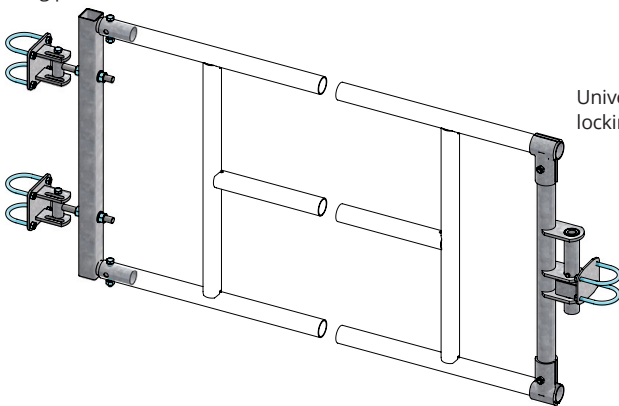


Grid post

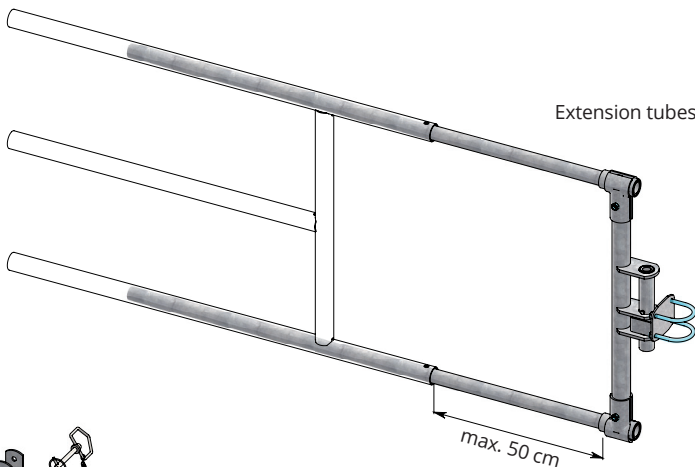


Component for drinking bowl befitting partition barriers

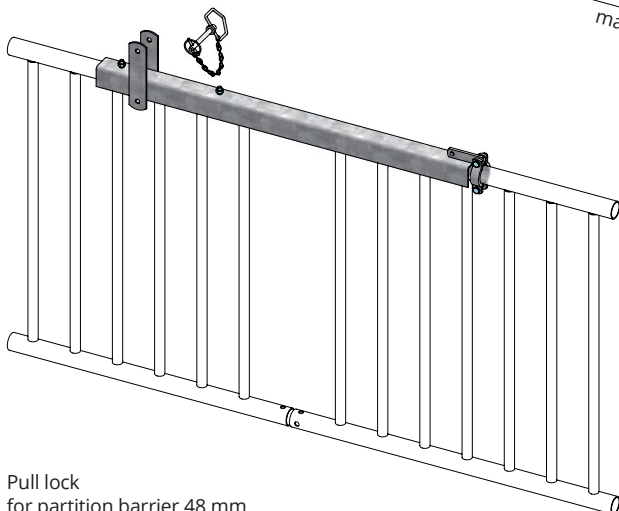
Adjustable pivoting point



Universal locking point

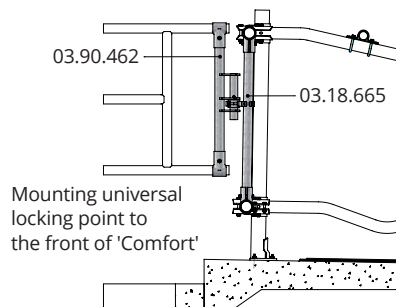
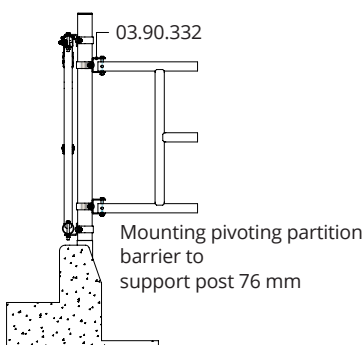
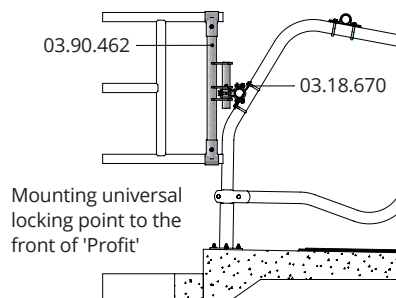
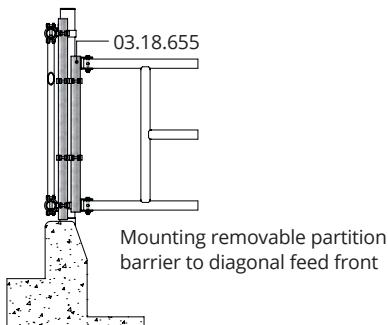
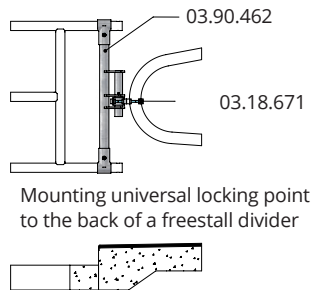
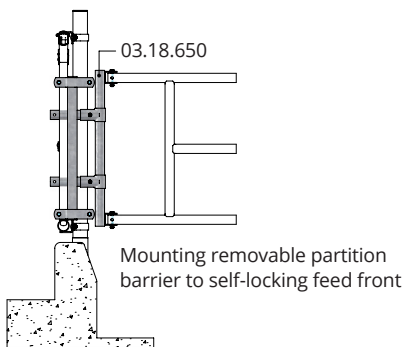
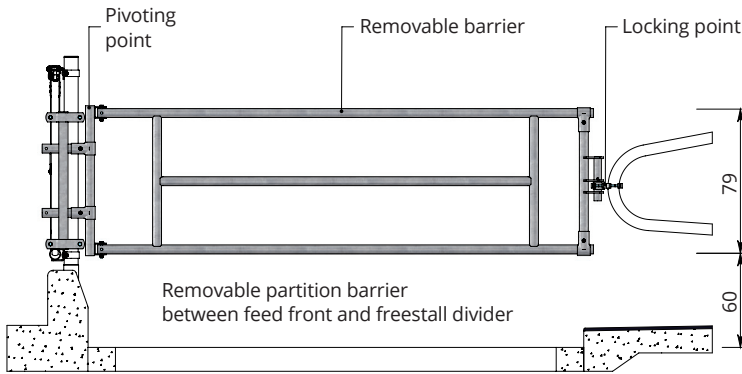


Extension tubes



Pull lock for partition barrier 48 mm

<p>03.90.500 04.08.020 03.90.300 03.90.310</p>	<p>Grid post 60 mm x 140 cm Post with spindle, to be clamped to the concrete grid floor. With two grid posts the various partition barriers can be placed removable onto the grid floor. The barriers can be mounted to the grid posts with cross clamps 48 x 60 mm. It is also possible to make a partition barrier to your own specification by using 48 mm horizontal bars.</p> <p>Grid post 60 mm x 140 cm Cross clamp 48 x 60 mm</p> <p>Set of wall fasteners 60 mm x 180° Set of wall fasteners 60 mm x 90°</p>
<p>03.11.900 03.11.950 03.13.900 03.13.950 03.31.900</p>	<p>Component for drinking bowl For partition barrier 03.11, length 55 cm For partition barrier 03.11, length 85 cm</p> <p>For partition barrier 03.13, length 55 cm For partition barrier 03.13, length 85 cm</p> <p>For partition barrier 03.31, length 55 cm</p>
<p>03.90.250 03.90.255 03.90.260 03.90.270</p>	<p>Adjustable pivoting point An easy solution to mount a partition barrier in a horizontal position. To be mounted to support post 76 mm, threaded straps included.</p> <p>Barrier height 79 cm 95 cm 112 cm 122 cm</p>
<p>03.90.450 03.90.460 03.90.465 03.90.470 03.90.480</p>	<p>Universal locking point Sturdy lock, specially for hinged partitions that are often operated. To be mounted to support post 76 mm, threaded straps included.</p> <p>Barrier height 53 cm 79 cm 95 cm 112 cm 122 cm</p>
<p>03.91.400 03.90.450 03.90.460</p>	<p>Extension tubes An easy way to elongate a standard barrier gate for cows (item numbers 03.14 and 03.15) up to 0.50 meter. A pair of extension tubes and the universal locking point will form the telescopic part of the barrier gate.</p> <p>Pair of extension tubes R38 mm, L=150 cm</p> <p>Universal locking point, barrier height 53 cm Universal locking point, barrier height 79 cm</p>
<p>03.91.100 03.91.100</p>	<p>Pull lock for partition barriers For partition barriers, placed in line For partition barriers, placed overlapped</p>



	<p>Removable partition barrier between feed front and freestall divider</p> <p>The base element for this partition barrier is the partition barrier for cows model 03.15. By making this barrier pivoting - pivoting point on the feed front - regrouping of the animals can be easily done. We advise to use our universal locking point on the freestall divider. For more convenience a gateway can be installed.</p>
<p>03.18.650 03.18.850</p>	<p>Mounting removable partition barrier to self-locking feed front and safety feed front</p> <p>Pivoting point, complete, mounted to self-locking feed front (model 24.61, 24.62, 24.63 and 24.66) and safety feed front (model 22.70 and 22.72)</p> <p>Pivoting point, complete, mounted to safety feed front (model 24.70 and 24.72)</p>
<p>03.90.462 03.18.671</p>	<p>Universal locking point to the back of freestall dividers</p> <p>Universal locking point for barrier height 79 cm Fastener for vertical tubing 48 mm or 60 mm</p>
<p>03.18.655</p>	<p>Mounting removable partition barrier to diagonal feed front</p> <p>Pivoting point, complete, mounted to diagonal feed front</p>
<p>03.90.462 03.18.670</p>	<p>Universal locking point to the front of 'Profit'</p> <p>Universal locking point for barrier height 79 cm Fastener for horizontal tubing 48 mm or 60 mm</p>
<p>03.90.332</p>	<p>Mounting pivoting partition barrier to support post 76 mm</p> <p>Set of universal fasteners, to 76 mm support post</p>
<p>03.90.462 03.18.665</p>	<p>Universal locking point to the front of 'Comfort'</p> <p>Universal locking point for barrier height 79 cm Fastener for front Comfort freestall divider</p>