



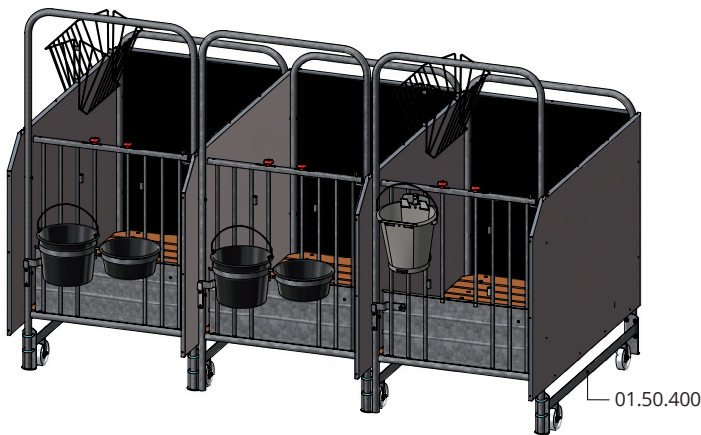
Hay rack



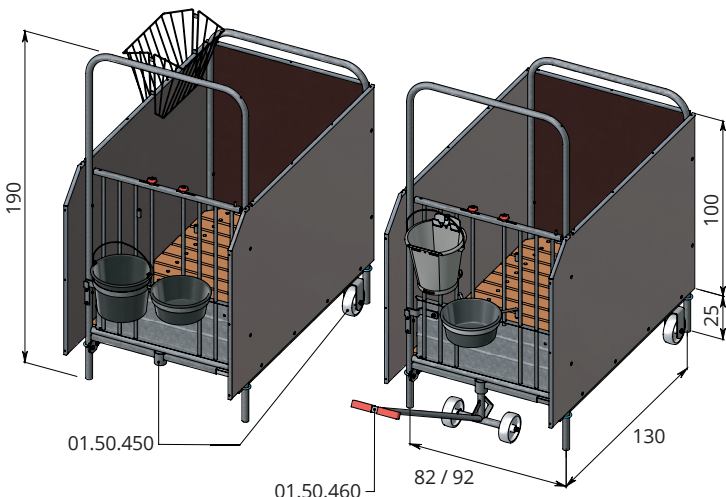
Double bucket holder



Single bucket holder



01.50.400



01.50.450

01.50.460

82 / 92

130

100

190

Because of their inherent low resistance newborn calves are very susceptible to infections. One of the main reasons why these infections are transmitted is that they lick and suck each other. Therefore individual housing is of utmost importance, the more so because the value of the calves has increased as a result of modern breeding methods. Any other way of housing would involve too much risk.

Individual housing offers optimal inspection on calf health, feeding and manure. Calves with diarrhoea or other ailment can be spotted immediately and can be treated separately. This makes the chances to infect the other calves very small.

For years and years now the Spinder individual calf pens have attributed to a healthy start of the new born calf.

Major characteristics of Spinder single calf pens:

- Front gate for maximum access;
- The gate can turn left or right;
- Adjustable V-shaped feed opening in the front gate for calves of various age and/or breeds. If necessary this adjustable opening can also be used to lock calves in;
- The pens have raised floors, this ensures dry bedding and maximum ventilation;
- The closed lower section of the gate prevents draught and keeps straw inside;
- The frame and the front gate are hot dip galvanized;
- The removable slatted floor is made of smooth hardwood with galvanized carriage bolts;
- Dividing panels of waterproof plywood with smooth synthetic resin finish and an aluminum protective edge;
- Removable back wall, for good cleaning;
- The pen can be assembled quickly and simply. A clear assembly manual is included;
- Available in widths of 82 and 92 cm;

It is recommended to place the calf pens in a separate area with sufficient ventilation.

	Calf pen 82 cm
01.52.820	Single unit
01.52.821	Add-on unit
	Calf pen 92 cm
01.52.920	Single unit
01.52.921	Add-on unit
	Fittings
01.50.890	Back wall 82 cm
01.50.990	Back wall 92 cm
01.40.220	Plastic calf bucket 12 L, with nipple
01.40.250	Bucket with nipple, flat side
01.40.350	Matching set of fasteners
01.40.240	Plastic calf pan, 5 L
01.40.210	Plastic calf bucket 12 L
01.40.180	Double bucket holder
01.40.170	Single bucket holder
01.50.190	Hay rack (one per 2 units)
	Set of wheels for calf pens
01.50.400	Set of wheels (2 for a single unit, 1 for each add-on unit)
	Set of wheels for calf pens, roll away system
01.50.450	Set of 2 wheels for single unit
01.50.460	Handle with wheels