



**Cuddle Box**

A newborn calf is the future of your herd and a fresh cow is the start of a new lactation. Definitely something to care for! All the more reason to manage the calving period well. In real life we all experience certain areas that might need improvement. The Cuddle box creates the perfect conditions for this important first phase.

Most dairy men are aware of the calving protocol but deviate from this due to less than perfect circumstances. The Cuddle box, installed in the calving pen, creates the optimal conditions. For manager, cow and calf! All activities related to calving can be done safely, hygienic and with a minimum of stress for all.

The Cuddle box consists of a calf- and cow section. In the calf section the newborn calf is situated in a hygienic area surrounded by detachable lightweight plastic panels that are easy to clean.

The cow, located in the separate cow section, has easy access to the calf and is able to lick the calf dry and eat silage. The telescopic and rotating side rails provide an easy entrance for the cow. By pulling the locking cord the manager can easily close the rear barrier behind the cow and lock her in.

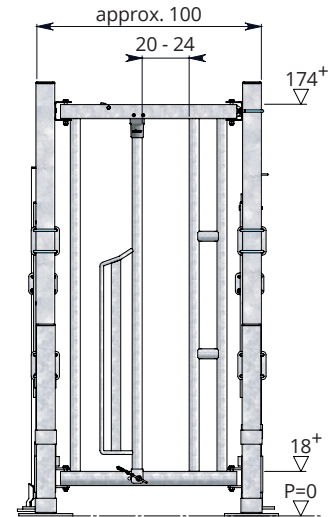
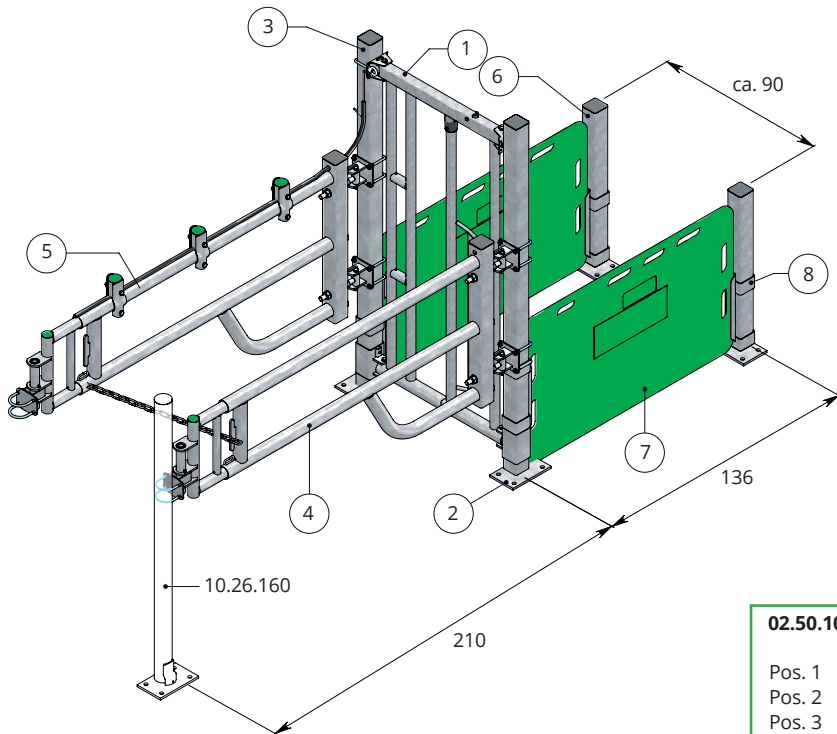
Preferably the Cuddle box is installed in line with the side gate of the calving pen, arranged in such a way that the manager has no need to enter the calving pen to milk the fresh cow. The side rails allow for easy access of the udder and ensure a safe and complete milking - from the clean side.

Originally conceptualized by Vetvice, a team of veterinarians that strive for a maximum health and well-being of human and animal, the Cuddle box has been further developed and engineered by Spinder.

**Advantages of the Cuddle box:**

- The cow can be effortlessly locked in by one person for treatment or assistance in calving.
- The calf section ensures a hygienic, dry and draught-free place for the newborn. No contact with manure reduces the chance of infections.
- The newborn calf is placed on top of the roughage. The smell of amniotic fluid stimulates the cow to eat.
- Intake of roughage immediately after calving helps to prevent a negative energy balance and ketosis.
- A licking and feeding cow expels the placenta easier.
- Licking by the cow stimulates the calf and prevents it from cooling down.
- The cow is fixated by the side rails and rear barrier and is positioned in a way that ensures easy and safe milking shortly after calving.
- Milking is also made easier by the fact that the cow is licking her calf. Licking stimulates the release of oxytocin and with that the release of the important colostrum which is essential for the health of the calf.
- Feeding the colostrum to the calf is easy to do in the calf section of the Cuddle box.
- Located in the calf section the calf cannot wander round and is easily relocated to another pen.





**02.50.100** Cuddle box complete, consisting of:

- |        |        |  |
|--------|--------|--|
| Pos. 1 | 1 pcs. | Lock in fence  |
| Pos. 2 | 2 pcs. | Floor-mounted support post $\nabla$ 80 x 180 cm                                |
| Pos. 3 | 1 set  | Fasteners (4 pcs.) for mounting the lock in fence to $\nabla$ 80 support posts |
| Pos. 4 | 1 pcs. | Telescopic push on barrier   |
| Pos. 5 | 1 pcs. | Telescopic push on barrier with rope guiding device and lock up chain          |
| Pos. 6 | 2 pcs. | Floor-mounted support post $\nabla$ 80 x 80 cm                                 |
| Pos. 7 | 2 pcs. | Plastic panel  |
| Pos. 8 | 2 set  | Fasteners (2 pcs.) for plastic panel to $\nabla$ 80 support posts              |

**Fittings**

- |                  |   |
|------------------|---|
| <b>10.26.160</b> | Floor-mounted support post 76mm x 160 cm      |
| <b>11.06.250</b> | Stopper 76 mm                                 |
| <b>11.11.250</b> | Floor anchor M16 x 120 mm (20 per Cuddle Box) |

