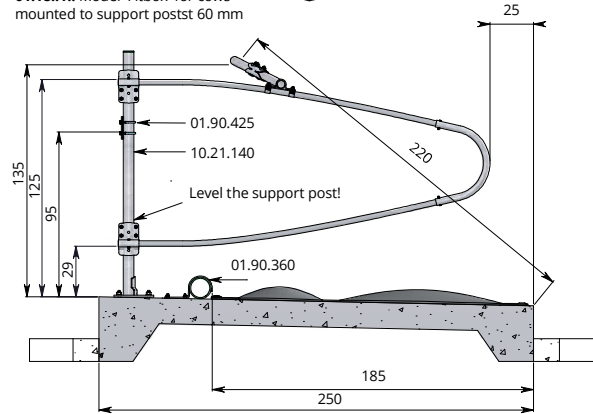


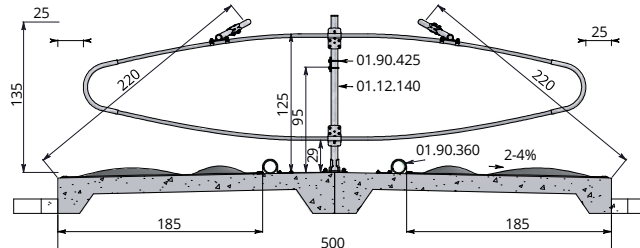
01.18.1.. Model 'Fitbox' for cows mounted to support postst 60 mm



The 'Fitbox' springs with the movement of the cow.

**New**

01.18.2.. Model 'Fitbox' for cows Double row mounted to support post 60 mm



**Flexible freestall divider model 'Fitbox', mounted to support postst 60 mm**

**Animal friendly, resilient and long lifespan:**

Cow comfort and thus a longer productive life have to be on a higher level, the flexible 'Fitbox' from Spinder fulfills this. If a cow touches the cubicle divider when standing up or lying down, the cubicle divider springs up and pushes back; not annoyingly or taxing, but pleasant. The narrow profile of the cubicle divider makes the space optimally utilized; more room for the cow. At the same time, this narrow profile gives the farmer also a better overview of his barn, as there is less material in view. Being fit is important; even for a cow. The farmer who is looking for just that little bit more comfort for his animals is going to discover the "Fitbox" and thus improve the productive lifespan of the herd.

**The product:**

The 'Fitbox' is a combination of glass fiber rods (solid 33 mm), a steel connecting part and steel clamps. To be applied on various cubicle deck sizes. For modern livestock Spinder recommends a cubicle width of 120 cm; due to the narrow profile of the 'Fitbox', 115 cm can also be a suitable cubicle width. The 'Fitbox' can be used with any type of cubicle covering and the dimensions can be adapted to almost all situations because the glassfiber rods can be shortened.

**Waved neck bar:**

The 'Fitbox' can be equipped just like any other cubicle with a waved neck bar. A waved neck bar directs a cow straight into the stall and ensures straight lying cows.

Flexible freestall divider for cows model 'Fitbox', mounted to support postst 60 mm. (divider, incl. clamps for attachment to tube 60 mm)

- 01.18.120 Model 'Fitbox' 250 - stall floor > 250 cm
- 01.18.110 Model 'Fitbox' 220 - stall floor 220-250 cm
- 01.18.220 Model 'Fitbox' 470 - stall floor 480-520 cm
- 01.18.210 Model 'Fitbox' 440 - stall floor 430-480 cm

**Fittings:**

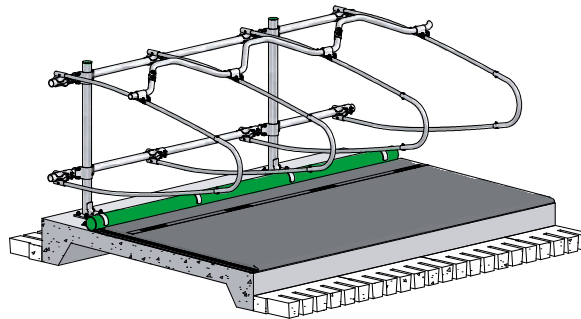
- 01.18.310 Shoulder rail strap clamp 'Fitbox'
- 01.21.140 Floor-mounted post 60 mm x 140 cm (single row)
- 01.12.140 Floor-mounted post 60 mm x 140 cm (double row)
- 01.21.150 Floor-mounted post 60 mm x 150 cm (deep litter)
- 11.02.200 Plastic protective sleeve 60 mm (deep litter)
- 11.06.200 Stopper 60 mm
- 11.11.250 Floor anchor M16 x 120 mm (4 pcs for single row cubicle dividers) (2 pcs for double row cubicle dividers)
- 11.12.016 Chemical anchor M16 (10 anchors) as alternative for anchor bolt
- 01.90.425 Belt clamp for 60 mm tubing (bolts and nuts are included)
- 01.90.400 Retainer belt 50 mm, 100 m roll
- 01.90.405 Retainer belt 50 mm, 50 m roll
- 01.90.351 PE125 knee rail - green, length 6 m
- 01.90.360 Mounting clip for knee rail PE125
- 11.11.210 Floor anchor M10 x 71 (2 pc. per mounting clip)

**Alternative for retainer belt:**

- 10.15.600 Tube 48 mm, length 6 m
- 04.21.015 Tube clamp coupling 48 mm
- 04.09.020 Strap clamp 48 x 60 mm
- 04.24.015 Extended end coupling 48 mm



Situation with double row flexible freestall divider model 'Fitbox', incl. waved neckbar.



Mounting to horizontal tubing 60 mm: stall adjustable in height and width

**Flexible freestall divider model 'Fitbox', mounted to horizontal tubing 60 mm**

**Important features:**

- Cow-friendly, moves with the cow;
- No conduction/stray current;
- Fewer pressure points; fewer "dawdling" cows;
- More space for the cow due to narrower cubicle dividers;
- Extremely strong, always springs back;
- No plastic, proven quality in practice;
- Can be equipped with a waved neck bar;
- Can be applied to any type of box covering;
- Can be used in almost all situations by shortening glass fiber rods;
- PE125 retaining knee rail ensures proper lying position.

- 01.18.120** Model 'Fitbox' 250 - stall floor > 250 cm
- 01.18.110** Model 'Fitbox' 220 - stall floor 220-250 cm
- 01.18.220** Model 'Fitbox' 470 - stall floor 480-520 cm
- 01.18.210** Model 'Fitbox' 440 - stall floor 430-480 cm

- Fittings:**
- 01.18.310** Shoulder rail strap clamp 'Fitbox'
  - 10.26.130** Floor-mounted support post 60 mm x 130 cm
  - 11.06.250** Stopper 60 mm
  - 11.11.250** Floor anchor M16 x 120 mm
  - 11.12.016** Chemical anchor M16 (10 anchors) as alternative for anchor bolt
  - 04.09.040** Strap clamp 76 mm x 60 mm
  - 10.15.600** Tube 48 mm, length 6 m
  - 04.21.015** Tube clamp coupling 48 mm
  - 10.20.600** Tube 60 mm, length 6 m
  - 04.21.020** Tube clamp coupling 60 mm
  - 04.24.215** Extended end coupling 48 mm
  - 04.24.020** End coupling 60 mm
  - 01.90.351** PE125 knee rail - green, length 6 m
  - 01.90.360** Mounting clip for knee rail PE125
  - 11.11.210** Floor anchor M10 x 71 (2 pc. per mounting clip)

**Waved neck bar**

With the waved neck bar the shoulder height or diagonal boxside - neck rail can be raised up till 30 cm.

**New**

**01.18.1..** Model 'Fitbox' for cows  
Single row mounted to horizontal tubing 60 mm

