



Waved neck rail

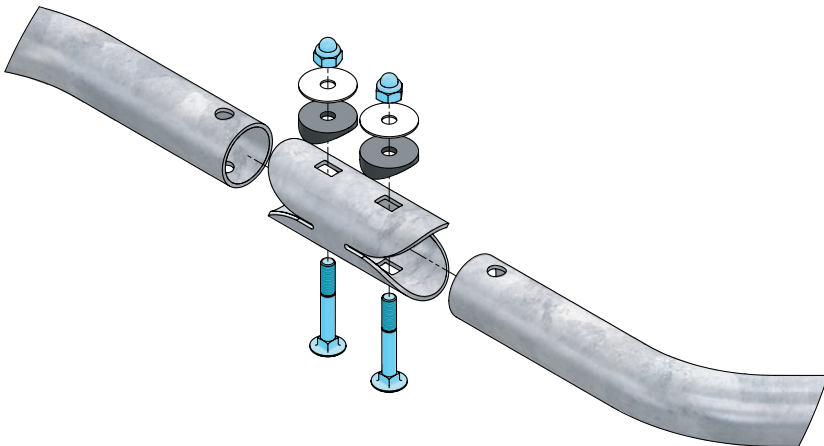
The wave of the neck rail guides the animal to the centre of the cubicle, where she will stand up and lie down. This will make the animal lie straighter with less manure left in the stall. Flexible assembly results in the ideal dimensions.

Many cubicles are too small (too narrow, too short, too low) for today's large cows. The waved neck rail makes better use of the space in the front of the stall. The wither height of the stall can be increased by as much as 30 centimetres.

Through its shape, the attachment point of the waved neck rail lies further to the back; that makes the overall cubicle construction more stable and stronger.

Important features:

- The waved neck rail allows the variable adjustment in a diagonal manner;
- Move the neck rail clamp back -> more stability;
- Can be universally used for any type of freestall divider;
- Steering effect, the cow is forced to stand straight up in the stall;
- Available for stall widths of 110, 112.5, 115, 120, 125 and 131 cm;
- The combination of waved neck bars of different dimensions (alternating assembly) allows the filling of the stall widths in between. E.g. assembly of alternating 2 x 115 and 2 x 120 for a row with a stall width of 117.5 cm;
- Linked per 2 stalls.



01.92.110	Waved neck bar 2 x 110 cm
01.92.112	Waved neck bar 2 x 112,5 cm
01.92.115	Waved neck bar 2 x 115 cm
01.92.120	Waved neck bar 2 x 120 cm
01.92.125	Waved neck bar 2 x 125 cm
01.92.131	Waved neck bar 2 x 131 cm
01.92.150	Starting wave neck bar - 50 cm
Fittings wall fastening	
01.91.157	End coupling extended for waved neck bar
11.11.210	Floor anchor M10 x 71 mm (2 per end coupling)

* - measured from the top of the cow mattress

